

BOSCH

YOUR LIFE. OUR INSPIRATION.

DISHWASHER USE AND CARE MANUAL

For MODELS : SHX36L



Congratulations, and Thank You from Bosch!

Thank you for selecting a Bosch dishwasher. You have joined the many consumers who demand quiet and superior performance from their dishwashers.

This manual was written with your safety and convenience in mind, and the information contained herein is very important. We highly recommend that you read this manual before you use your dishwasher for the first time.

To learn even more about your dishwasher and available accessories, as well as many other top-quality Bosch appliances, visit our website at www.boschappliances.com.

Please contact us if you have any questions or comments. You can call us at 1-800-944-2904, or you can write us at

BSH Home Appliances, Corp.
5551 McFadden Avenue
Huntington Beach, CA 92649

Enjoy!

TABLE OF CONTENTS

IMPORTANT SAFETY INSTRUCTIONS	2
Dishwasher Components, Features and Options	3
Materials	4
Using Your Dishwasher	5-8
Dishware Preparation	5
Loading the Dishwasher	5-6
Adding Detergent and Rinse Agent	6-7
Operating the Dishwasher	7-8
Dishware Drying	8
Unloading the Dishwasher	8
Care and Maintenance	8-10
Self Help	10
Wash Cycle Information	11
Statement of Warranties	12
Customer Service	13

IMPORTANT SAFETY INSTRUCTIONS



WARNING

INJURY/DEATH HAZARD - SERIOUS INJURY OR DEATH COULD RESULT IF THE DISHWASHER COVERED IN THIS MANUAL IS OPERATED INCORRECTLY OR IN A WAY OTHER THAN ITS INTENDED PURPOSE. DO NOT USE THE DISHWASHER COVERED IN THIS MANUAL IN ANY OTHER WAY OR FOR ANY OTHER PURPOSE THAN IS EXPLAINED IN THIS MANUAL.

1. Use Bosch dishwashers only for their intended function, which is the washing of household dishware and kitchenware.
2. Bosch dishwashers are provided with one manual which contains the Installation Instructions, and the Use and Care Manual. Read and understand all instructions before using the dishwasher.
3. Use only detergents or wetting agents recommended for use in a dishwasher, and keep them out of the reach of children.
4. When loading items to be washed:
 - a. Locate sharp items so that they are not likely to damage the door seal.
 - b. Load knives and other sharp utensils with their HANDLES UP to reduce the risk of cut-type injuries.
5. Do not wash plastic items unless they are marked "dishwasher safe" or the equivalent. For plastic items not so marked, check the manufacturer's recommendations.
6. Do not operate your dishwasher unless all enclosure panels are in place.
7. Do not tamper with or override controls and interlocks.
8. Do not abuse, sit on, or stand on the door or dish racks of the dishwasher.
9. To reduce the risk of injury, do not allow children to play in or on the dishwasher.
10. Under certain conditions, hydrogen gas may be produced in a hot water system that has not been used for two weeks or more. Hydrogen gas is explosive. Before using a dishwasher that is connected to a hot water system that has been unused for two weeks or longer, turn on all hot water faucets and let the water flow from each for several minutes. This will release any accumulated hydrogen gas. As the gas is explosive, do not smoke or use an open flame during this time.
11. Remove the door to the washing compartment when removing an old dishwasher from service or discarding.
12. To avoid floor damage and possible mold growth, do not allow wet areas to remain around or under the dishwasher.



WARNING

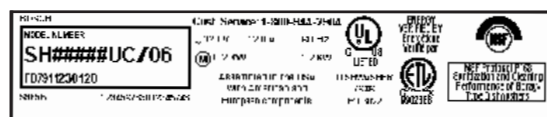
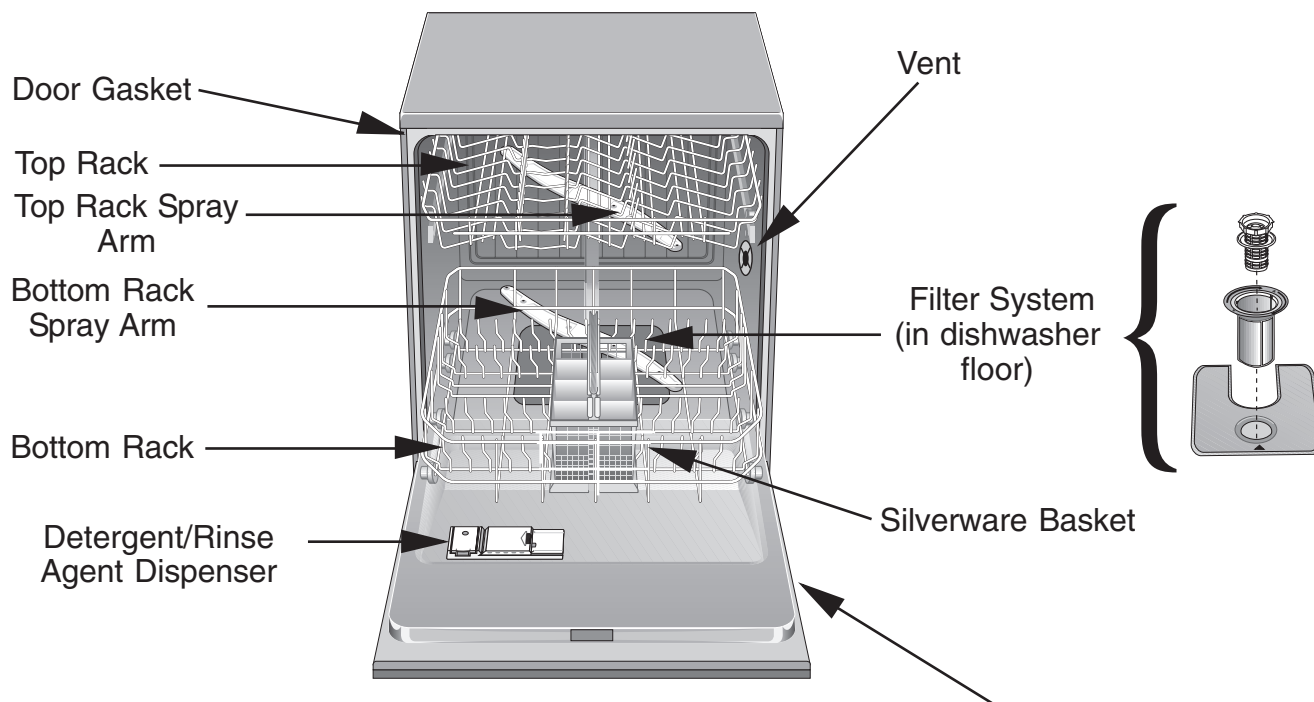
ELECTRIC SHOCK HAZARD - ELECTRICAL SHOCK COULD RESULT IF THE ELECTRICAL SUPPLY FOR THE DISHWASHER COVERED IN THIS MANUAL IS INCORRECTLY INSTALLED OR IF THE DISHWASHER HAS BEEN IMPROPERLY GROUNDED. DO NOT USE THE DISHWASHER COVERED IN THIS MANUAL IF YOU ARE NOT CERTAIN THE ELECTRICAL SUPPLY HAS BEEN CORRECTLY INSTALLED OR THE DISHWASHER HAS BEEN PROPERLY GROUNDED.

GROUNDING INSTRUCTIONS

This appliance must be grounded to a metal, permanent wiring system, or an equipment grounding conductor must be run with the circuit conductors and connected to the equipment grounding terminal or lead on the dishwasher. See the Installation Manual included with this dishwasher for more information on electrical requirements.

SAVE THESE INSTRUCTIONS!

DISHWASHER COMPONENTS



Model/Serial Number Label

DISHWASHER FEATURES AND OPTIONS

AVS™ Noise Reduction System: A 54dB noise rating from the two-pump motor system, the Suspension Motor™, and triple insulation make Bosch dishwashers the quietest in North America.

Condensation Drying: A high temperature final rinse, a low temperature stainless steel tub, and the sheeting action of a rinse agent result in drying that is hygienic, energy efficient, and economical.

Cycle Completion Signal: A tone that sounds when your Bosch dishwasher finishes washing and drying your dishes.

Filter System: Three filters ensure distribution of clean water and protect the main pump and the drain pump from foreign material.

Flow-Through Heater™: Heats water to a temperature of up to 161°F.

Nylon Racks: Eliminate cuts and nicks, and have a five-year warranty.

“Refill Rinse Agent” Indicator: An LED indicator labeled “Refill Rinse Agent” on the control panel that comes on when the rinse agent dispenser is needs refilling.

“Sanitized” Indicator: An LED indicator certifies that your dishes are sanitized to the standards of the National Sanitation Foundation.

SENSOTRONIC™: Checks water condition and decides whether a second fresh water fill is necessary.

Stainless Steel TALLTUB™: A rust-free, hygienic interior surface with a lifetime warranty.

“Top Rack Only™” Cycle: Saves energy, water, and detergent by washing loads small enough to fill only the top rack.

Water Shut-Off: A safety feature that stops the flow of incoming water if water is detected in the base of the dishwasher.

MATERIALS

NOTE: Before you use your Bosch dishwasher for the first time, check the information in this section. Some items are not dishwasher safe and should be hand-washed; others require special loading. Contact the item's manufacturer if you are unsure about the item's dishwasher suitability.

Usually Safe

Aluminum: Colored anodized aluminum may fade over time. Minerals in your water may cause the aluminum to darken or spot. This can usually be removed by using a soap-filled steel wool pad.

China, Crystal, Stoneware: Some hand-painted pieces may discolor, fade, or spot. Hand-wash these pieces. Position fragile glassware so that it will not topple over or contact other pieces during the wash cycle.

Glass: Milk glass may yellow.

Non-Stick Coatings: Apply a light coating of vegetable oil to non-stick surfaces after drying.

Plastics: Ensure the piece is dishwasher safe.

Stainless Steel, Sterling Silver, and Silver Plate: Place these pieces so that they do not contact dissimilar metals.

Not Recommended

Acrylic: Crazing (small cracks throughout the acrylic) may occur.

Adhesive-Joined Pieces: Adhesives that join materials such as plastic, wood, bone, steel copper, tin, etc. may loosen.

Bone-Handled Utensils: Handles may separate.

Iron: Iron will rust. Hand-wash and dry immediately.

Non-Dishware Items: Your Bosch dishwasher is intended for use in cleaning ONLY standard household dishware and kitchenware.

Pewter, Brass, Bronze: Pewter will tarnish. Hand-wash and dry immediately.

Tin: Tin will rust. Hand-wash and dry immediately.

Wood: Wooden bowls, wooden utensils, and wood-handled utensils can crack, warp, and lose their finish.

USING YOUR DISHWASHER

USING YOUR DISHWASHER

Dishware Preparation

1. General Guidelines

- Do not pre-wash items having loosely-attached soiling.
- Remove large food particles, bones, seeds, toothpicks, and excessive grease.
- Items having burned-on or hard, stuck-on soiling may require soaking and hand-scouring.

Loading the Dishwasher

1. General Guidelines

CAUTION

DISHWASHER DAMAGE: Loading the dishwasher with objects such as paper products, plastic bags, packing materials, or anything other than normal dishware and kitchenware could damage the dishwasher. Do not load the dishwasher with anything other than dishwasher-safe dishware and kitchenware.

- Check the Materials section of this manual if you are unsure about an item's dishwasher suitability.
- Load only dishwasher-safe items into the dishwasher.
- Load items so that water can reach every part of every item.
- Place pots, pans, cups, bowls, and glasses upside-down in the racks.
- Separate items of dissimilar metals.

2. Loading the Top Rack

- Figures 1, 2 and 3 show a typical mixed load in the top rack.

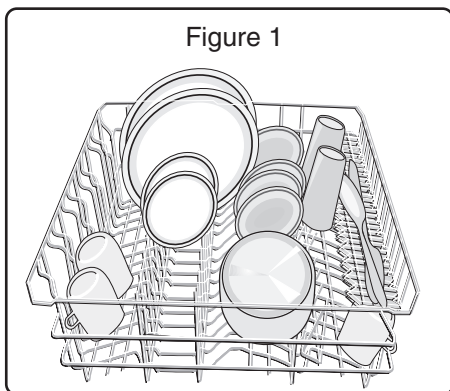


Figure 1

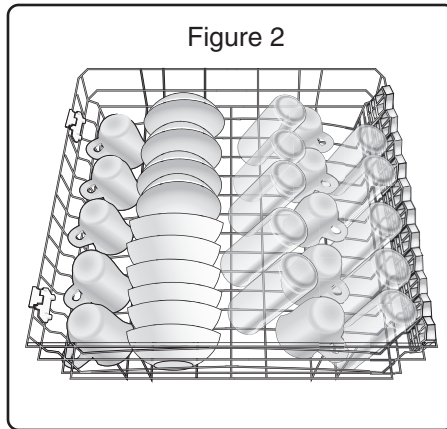


Figure 2

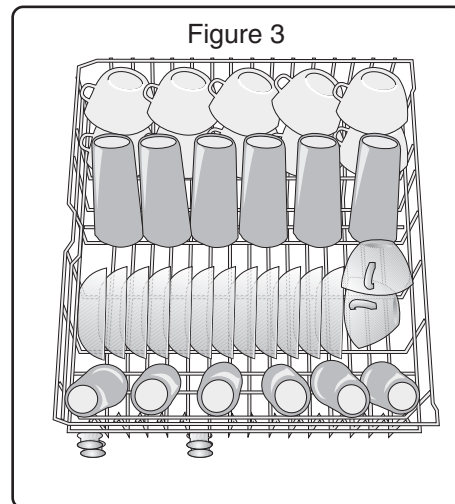


Figure 3

NOTE: When pushing the top rack into the dishwasher, push it until it stops against the back of the tub. Otherwise, the top rack spray arm may not connect to the water supply.

- When the top rack is loaded, push it into the dishwasher.

- Top Rack Only™ Cycle

This cycle allows you to save energy, water, and detergent by washing loads small enough to fill only the upper rack.

NOTE: The Top Rack Only™ cycle does not reduce wash time.

To use the Top Rack Only™ cycle,

- Load the top rack.
- Press the On/Off button.
- Press the button for the desired wash cycle.
- Press the Top Rack Only button.

3. Loading the Bottom Rack

- Place large items in the bottom rack. Load pots and pans upside-down. Figures 4, 5 and 6 show a typical mixed load in the bottom rack.

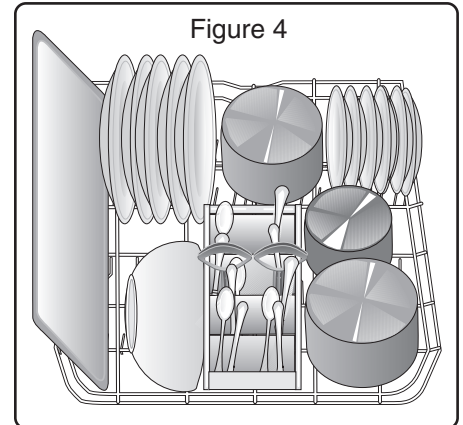


Figure 4

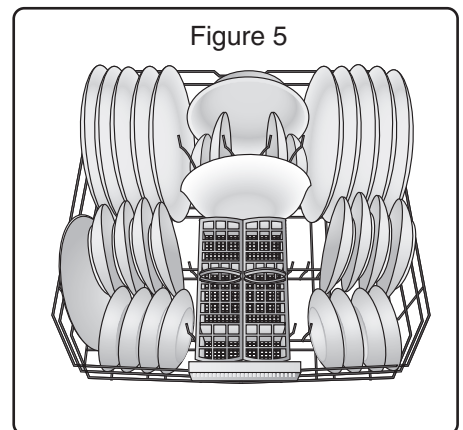


Figure 5

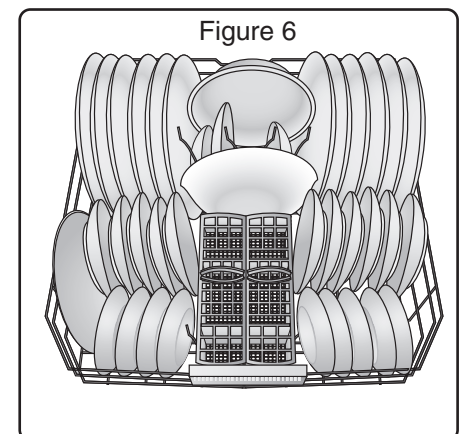


Figure 6

- When the bottom rack is loaded, push it into the dishwasher.

4. Loading Extra Tall Items

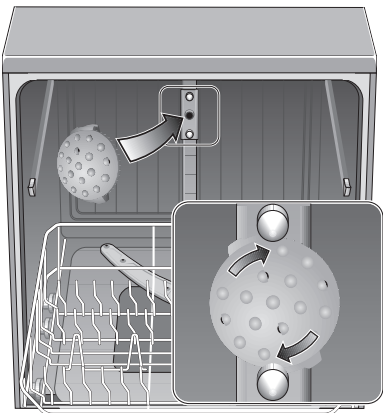
If an item is too tall to be placed into the bottom rack even with the top rack in the raised position,

- Remove the empty top rack by pulling it out of the dishwasher until it stops rolling.

USING YOUR DISHWASHER

- b) Pull the front of the rack upward and outward until the rollers are completely free of the roller guides. Set the top rack aside.
- c) Push the roller guides back into the dishwasher.
- d) Insert the Extra Tall Item Sprinkler into the top rack spray outlet and turn the sprinkler clockwise to lock it into position as shown in Figure 7.

Figure 7

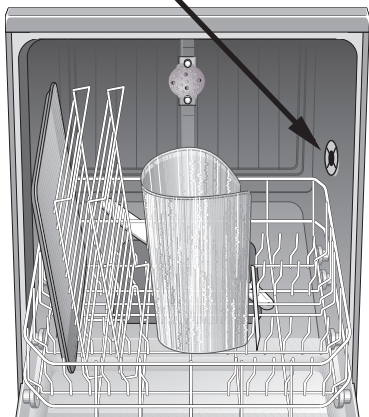


NOTE: Keep the vent on the tub's right side clear by placing tall items such as plastic cutting boards and tall baking sheets on the bottom rack's left side, center, or back.

e) Place your extra tall item(s) in the bottom rack as shown in Figure 8.

Figure 8

Do not block vent.



CAUTION

DISHWASHER DAMAGE: Reinstalling the top rack without removing the extra tall item sprinkler can damage the dishwasher. Do not reinstall the top rack with the sprinkler installed.

- To remove the sprinkler and return the dishwasher to its normal condition:
- f) Turn the sprinkler counter-clockwise and remove it from the top rack spray outlet.
 - g) Retrieve the top rack.
 - h) Tilt the top rack upwards and position the top rack rollers onto the roller guides.
 - i) Continue pushing the top rack until the rollers are on the guide.
 - j) Push the top rack into the dishwasher.

5. Loading the Silverware Basket

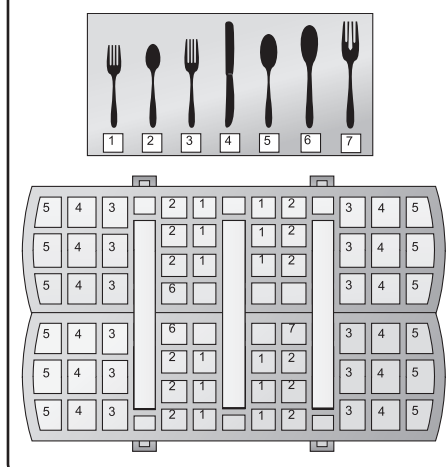


CAUTION

INJURY HAZARD: Knives and other sharp utensils placed with their handles down in the silverware baskets can cause serious injuries. Whenever possible, do not load knives and other sharp utensils with their handles down. Do not allow children to handle or play near knives and sharp utensils.

- a) Keep children away from knives and other sharp utensils.
- NOTE:** The silverware basket tops can be folded up to accommodate large or oddly-shaped items.
- b) With the silverware basket tops down, load the silverware basket following a pattern suggested by Figure 9, placing knives with their handles up, and forks and spoons with their handles down.

Figure 9



c) If large or oddly-shaped items are to be loaded into the silverware basket with the tops up, load the items so that they do not nest together. Load knives and sharp utensils with their handles up.

Adding Detergent and Rinse Agent

1. Detergents

CAUTION

DISHWASHER DAMAGE: Using hand dishwashing products in your dishwasher could damage your dishwasher. Do not use hand dishwashing products in your dishwasher.

- a) Use only detergents specifically designed for dishwashers.
- b) The detergent dispenser cup has lines that measure detergent to 15 milliliters (ml) and 25ml. 45ml of detergent will completely fill the detergent dispenser cup.

CAUTION

DISHWARE DAMAGE: Too much detergent in soft water may cause etching in glassware. Do not use too much detergent if your water supply is soft.

- NOTE:** If you do not know the hardness of your water supply, use 15ml of detergent. Increase the amount of detergent, if necessary, to the least amount required to get your dishware and kitchenware clean.
- c) Use the measuring lines in the detergent dispenser cup as a guide to measure the amount of detergent recommended in Table 1.

Table 1

Wash Cycle	Water Type		
	Hard	Medium	Soft
Power Scrub Plus	45ml	45ml	25-45ml
Regular Wash	25-45ml	25ml	15-25ml
Rinse & Hold	None	None	None

2. Rinse Agents

- a) Always use a liquid rinse agent, even if your detergent contains a rinse agent or drying additive.

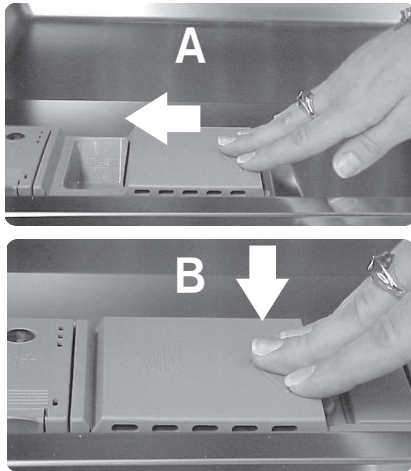
USING YOUR DISHWASHER

3. The Detergent and Rinse Agent Dispenser

- Filling the Detergent Dispenser

- Fill the dispenser cup as recommend in Table 1.
- Slide the detergent dispenser cover in the direction shown in Figure 10A and press it down firmly as shown in Figure 10B so that the cover snaps shut.

Figure 10

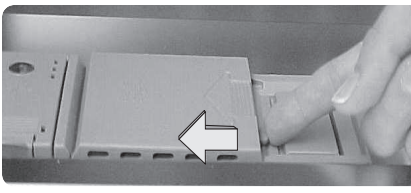


- Opening the Detergent Dispenser Cover

NOTE: Pressing down on the release tab will not open the cover.

- Press the blue release tab in the direction shown by the arrow in Figure 11.

Figure 11

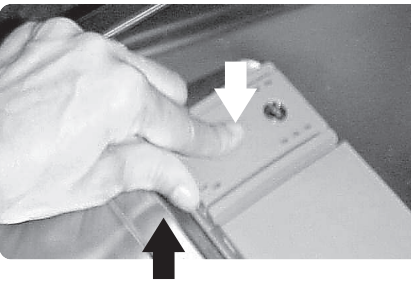


- The cover will slide open to the right.

- Filling the Rinse Agent Dispenser

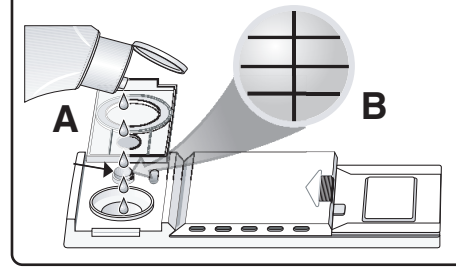
- Open the rinse agent dispenser by pressing the star on the cover with your index finger while lifting the tab with your thumb as shown in Figure 12.

Figure 12



- Add liquid rinse agent to the dispenser as shown in Figure 13A until the rinse agent reservoir is full. Wipe up any excess rinse agent that puddles when the dispenser reservoir is full.

Figure 13



- Return the rinse agent dispenser cover to its shut position and press it firmly so that the cover snaps shut.

NOTE: Figure 13B represents a completely empty rinse agent reservoir.

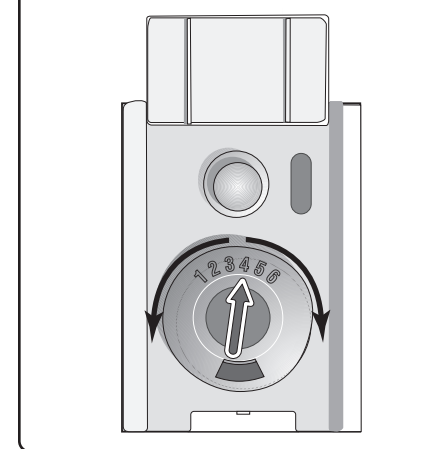
- Refill the rinse agent dispenser when the rinse agent reservoir level indicator as shown in Figure 13B begins to show a silver background with black lines or when the Refill Rinse Agent indicator comes on.

NOTE: After filling the rinse agent dispenser, the Refill Rinse Agent Indicator will go out in a few minutes after the dishwasher door is shut.

- Rinse Agent Dispenser Regulator

The amount of rinse agent dispensed can be regulated to control spotting and streaking. The Rinse Agent Dispenser Regulator as shown in Figure 14 leaves our factory set at 4.

Figure 14



To adjust the amount of rinse agent dispensed:

- Open the rinse agent dispenser cover.
- If your dishes are streaked after washing, turn the regulator to a lower number.
- If your dishes are spotted after washing, turn the regulator to a higher number.

Operating the Dishwasher

1. Select the Proper Wash Cycle

CAUTION

DISHWARE DAMAGE: Delicate or heirloom items can be damaged in a dishwasher. Do not wash delicate or heirloom items in your dishwasher if there is any possibility of damage to such items.

- Items with baked-on or hard, dried-on soiling will require either Power Scrub Plus or possibly soaking and hand-scouring before placing in the dishwasher.

- The Regular Wash cycle will thoroughly clean large loads having loosely attached normal soiling.

- The Rinse and Hold cycle will allow you to keep a small load in your dishwasher until you have enough items for a full load.

More information on Bosch dishwasher cycles is in the Wash Cycle Information section of this manual.

2. Starting the Dishwasher

- Open the dishwasher door far enough to expose the control buttons.
- Press the On/Off button.
- Press the button for the desired wash cycle.
- Shut the dishwasher door.
- The dishwasher will start automatically and continue operating until the end of the selected cycle.

Once you start the dishwasher, leave the dishwasher door shut until it finishes the cycle.

3. Interrupting a Cycle

NOTE: Should you need to interrupt a cycle (to add or remove an item, to add detergent, etc.), it is best to do so within the first 30 minutes of the cycle.

- Open door slightly and wait at least ten seconds or until water noises stop before completely opening the dishwasher door.



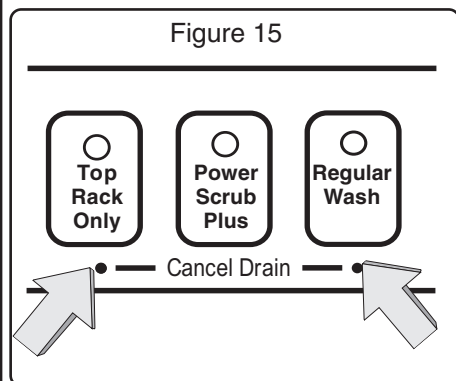
WARNING

SCALD HAZARD: You could be seriously scalded if you open the dishwasher door quickly during a wash or rinse cycle. Do not fully open the dishwasher door for at least 10 seconds or until water noises stop.

- To resume the cycle shut the dishwasher door.

4. Canceling or Changing a Cycle

a) To cancel or change a cycle, press and hold for three seconds the two buttons labeled "Cancel Drain" as shown in Figure 15.



b) Wait approximately one minute, then press the On/Off button
 c) You may now begin a new cycle or select a different cycle.

Dishware Drying

NOTE: Check the Dishwasher Options section of this manual for information on the Additional Drying Heat option.

At the end of the cycle the dishwasher will stop and a period of condensation drying will follow. After 12 - 15 minutes of drying,

- the "Clean" indicator will illuminate,
- the "Sanitized" indicator may illuminate depending on the cycle selected and the conditions.
- The Cycle Completion Signal will sound depending on the setting.

NOTE: To accelerate and enhance drying, open the dishwasher door, pull the top rack a few inches out of the dishwasher, and prop the dishwasher door against the top rack.

- The "Sanitized" Indicator

When the "Sanitized" light illuminates, it means that the dishware and kitchenware that was just washed has been sanitized according to the requirements of the National Sanitation Foundation (NSF). For more information on NSF certification, go to the Wash Cycle Information section of this manual.

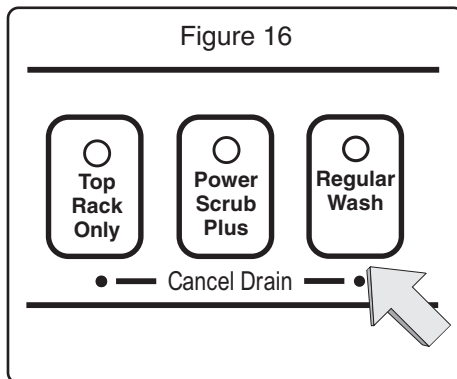
- The Cycle Completion Signal

This Cycle Completion Signal is a tone that sounds when your Bosch dishwasher finishes washing and drying your dishes. You can either disable the tone, or you can set it at one of two volumes (your dishwasher leaves our factory with the tone set on the lower volume).

To change the Cycle Completion Signal Volume:

a) Open the dishwasher door far enough to expose the control buttons.

b) Press and hold the right "Cancel Drain" as shown in Figure 16, then press and hold the On/Off button.



When the light on the "Cancel Drain" button you are pressing illuminates and the tone begins to sound, release both buttons.

c) Press the right-most "Cancel Drain" button until the tone is either at the desired volume or is silent.

d) Press the On/Off Button.

e) Shut the dishwasher door. The Cycle Completion Signal is now set, and you may wash your dishes as usual.

Unloading the Dishwasher

1. General Guidelines

- Unload the bottom rack first.
- Unload the silverware basket(s). They are easily removed for unloading.
- Unload the top rack.
- If the Extra Tall Item Sprinkler was installed, return the dishwasher to its normal condition (see the Loading Extra Tall Items instructions in the "Loading the Dishwasher" section of this manual).

CARE AND MAINTENANCE

Maintenance Tasks

Certain areas of your Bosch dishwasher require occasional maintenance. The maintenance tasks are easy to do and will ensure continued superior performance from your Bosch dishwasher. These tasks are:

- Wiping up Spills and Splash-out
- Winterizing Your Bosch Dishwasher
- Clean the Stainless Steel Inner Door and Tub
- Check/Clean the Spray Arm Nozzles
- Check/Clean the Filter System
- Clean the Exterior Door Panel
- Clean the Door Gasket

1. Wiping Up Spills and Splash-out

Water may occasionally splash out of your Bosch dishwasher, especially if you interrupt a cycle or open the dishwasher door during a cycle. To avoid floor damage and possible mold growth, do not allow wet areas to remain around or under the dishwasher.

2. Winterizing Your Bosch Dishwasher

CAUTION

POSSIBLE DISHWASHER DAMAGE: Freezing temperatures can damage your dishwasher. Do not allow water to remain in your dishwasher water supply or drain systems through extended periods of freezing temperatures.

If your dishwasher will be unused for an extended period of time in a location that experiences freezing temperatures (e.g., in a holiday home or through a vacation period), you must drain all the water from the dishwasher's interior.

- Turn off the water supply.
- Disconnect the drain hose, and allow your dishwasher to completely drain into a bucket or other appropriate receptacle.

3. Check/Clean the Stainless Steel Inner Door and Tub

a) Clean the outer edges of the inside door panel regularly to remove debris that might collect there from normal loading.

b) If spots begin to appear on the stainless steel tub or inner door, make sure the rinse agent reservoir is full.

CARE AND MAINTENANCE

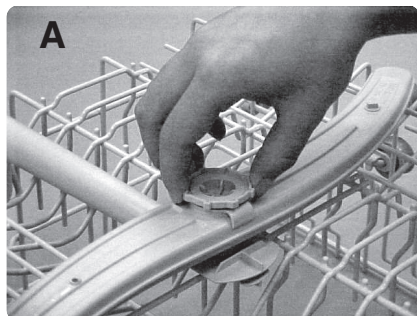
4. Check/Clean the Spray Arm Nozzles

Occasionally check the spray arms to ensure that the spray nozzles are unobstructed. You must remove the spray arms to check them for obstruction.

- To remove the top spray arm:

- Remove the empty top rack from the dishwasher.
- Turn the rack upside-down. The top spray arm is held in position by a locking nut as shown in Figure 17A. Turn the locking nut counter-clockwise 1/8 turn and remove it, as shown in Figure 17B to release the spray arm.

Figure 17



- Remove the spray arm as shown in Figure 18.

Figure 18



- Look for obstruction in the spray nozzles.
- If the spray nozzles need cleaning, flush them under running water.

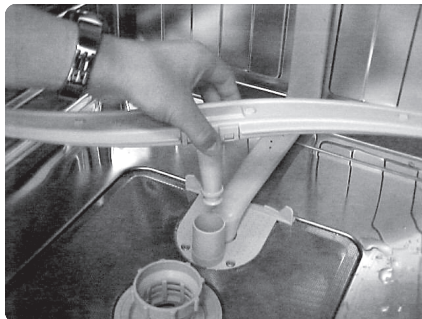
- To reinstall the top spray arm:

- Return the top spray arm to its installed position.
- Return the locking nut to its installed position and turn it 1/8 turn clockwise.
- Return the top rack to the top rack roller guides.

- To remove the bottom spray arm:

- Remove the empty bottom rack from the dishwasher tub.
- Grasp and lift the bottom spray arm as shown in Figure 19.

Figure 19



- Look for obstruction in the spray nozzles.
- If the spray nozzles need cleaning, flush them under running water.

- To reinstall the bottom spray arm:

- Return the bottom spray arm to its installed position and press it so that it snaps into place.
- Return the bottom rack to its installed position.

5. Check/Clean the Filter System

Your Bosch dishwasher has a filter system that is made up of a Large Object Trap/Cylinder Filter assembly and a Fine Filter. The filter system is located on the dishwasher floor and is easily accessible.

During normal use the filter system is self-cleaning, but you should occasionally inspect it for foreign objects and clean it when necessary.

- To Remove the Large Object Trap/Cylinder Filter Assembly:

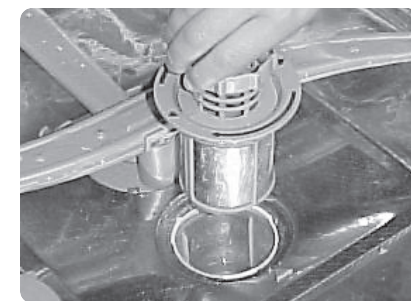
- Remove the bottom rack.
- Grasp the assembly as shown in Figure 20, and turn it counter-clockwise 1/4 turn.

Figure 20



- Lift out the assembly as shown in Figure 21.

Figure 21



CAUTION

INJURY HAZARD: The large object trap could contain sharp objects. Do not reach into the large object trap with your fingers.

- Carefully examine the assembly. If you find debris in the Large Object Trap, turn it upside-down and gently tap it on a surface such as a countertop to dislodge and remove the debris. Flush the Cylinder Filter clean by holding it under running water.

- To Remove the Fine Filter:

- Lift the Fine Filter from the dishwasher floor as shown in Figure 22 and flush it clean by holding it under running water.

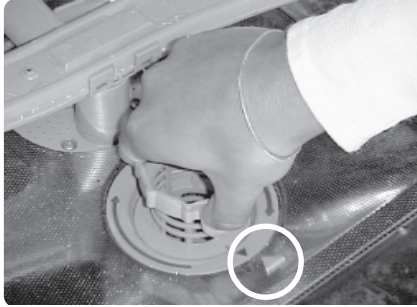
Figure 22



- To reinstall the filter system:

- f) Return the Fine Filter to its installed position
- g) Place the Large Object Trap/Fine Filter Assembly into its installed position in the dishwasher floor.
- h) Turn the ring handle clockwise 1/4 turn until it is locked. The arrow on the ring handle and the arrow on the Fine Filter should point to each other, as shown by the circle in Figure 23.

Figure 23



- i) Gently pull the ring handle to ensure that the Assembly is locked into place.

6. Clean the Exterior Door Panel**CAUTION**

POSSIBLE DISHWASHER DAMAGE: Your dishwasher's exterior door panel can be damaged if you try to clean it with harsh chemicals, abrasive cleaners, scouring pads (metal or plastic), or abrasive cloths/paper towels. Do not use harsh chemicals, abrasive cleaners, scouring pads (metal or plastic), or abrasive cloths/paper towels to clean your dishwasher's exterior door panel.

- Colored Doors

- a) Use only a soft cloth that is lightly dampened with soapy water.

- Stainless Steel Doors

- b) Use a soft cloth with a non-abrasive cleaner (preferably a liquid spray) made for cleaning stainless steel. For the best results, apply the stainless steel cleaner to the cloth, then wipe the surface.

7. Clean the Door Gasket

- a) Regularly clean the door gasket with a damp cloth to remove food particles and other debris.

SELF HELP

Dishwashers may occasionally exhibit problems that are unrelated to a malfunction of the dishwasher itself. The following information may help you with a dishwasher problem without your having to call a repair person.

Dishes do not dry

The rinse agent dispenser may be empty. Check the rinse-aid dispenser and refill it if necessary. Dishware drying can be accelerated and enhanced by opening the dishwasher door slightly and propping it open with the top rack.

Indicator light(s) do not come on

A fuse may have blown or a circuit breaker tripped. Check the fuse or circuit breaker at your fuse box/breaker box and replace the fuse or reset the breaker if necessary.

Dishwasher does not start

The dishwasher door may not be properly shut. Make certain the dishwasher door is shut and latched.

Dishwasher runs a long time

If the dishwasher completes the cycle, but the run time seems exceptionally long, it may be due to cold incoming water. Before starting the dishwasher, open the hot water faucet at the sink nearest the dishwasher. Run the water until it runs hot, then turn off the water and start the dishwasher.

Machine cycle does not advance to rinse

NOTE: The Installation Manual that came with your Bosch dishwasher will help you with the following instructions.

The water supply line may be shut off. Check the water supply valve and open it if it's shut.

Water not pumped from dishwasher

Make certain the drain hose isn't kinked, clogged, or improperly installed. Make certain a portion of the drain hose is at least 20 inches above the dishwasher's enclosure floor (see the Installation Manual). Filters may be clogged. Make certain the filter system isn't clogged (see the Care and Maintenance section of this manual). The kitchen sink drain may be clogged; you may need a plumber rather than a serviceman for the dishwasher. If an air gap is installed at sink, it may be clogged.

Detergent dispenser cover will not shut

You may not be correctly shutting the detergent dispenser cover, or a cycle was not finished and should be cancelled. Go to the Adding Detergent and Rinse Agent section of this manual for instructions on shutting the detergent dispenser cover. Go to the Operating the Dishwasher section of this manual for instructions on canceling a cycle.

White spots left on dishes

More rinse agent is needed. Go to the Adding Detergent and Rinse Agent section of this manual for instructions on increasing the amount of rinse agent dispensed.

Streaks on glassware

Too much rinse agent is being dispensed. Go to the Adding Detergent and Rinse Agent section of this manual for instructions on decreasing the amount of rinse agent dispensed.

Rattling noises

Utensils may not be properly arranged.

Suds in dishwasher



You may have used the wrong type of dishwashing detergent. Use only automatic dishwasher detergents.

Unsatisfactory washing results

- Incorrect amount of detergent or old detergent.
- Utensils incorrectly arranged or rack overloaded.
- Spray arm rotation blocked by utensils.
- Spray arm nozzles need cleaning.
- Filters not properly fitted into position.
- Unsuitable cycle selected.

CYCLE DURATION/WATER CONSUMPTION INFORMATION

NOTE: Cycle duration and water consumption depend largely upon household water temperature and wash load, factors over which Bosch has no control. Therefore, the times and quantities in this charts are approximate.

		 Power Scrub Plus	 Regular Wash	Rinse & Hold
	Cycle Time (in minutes)	136	108	9
Water Consumption in gallons	Minimum	6.1	3.5	1.3
	Maximum	8.3	7	1.3
Water Consumption in liters	Minimum	23.2	13.1	4.8
	Maximum	31.6	26.4	4.8
<u>Wash Temp °F</u>		<u>161°</u>	<u>140°</u>	<u>Incoming</u>
<u>Rinse Temp °F</u>		<u>161°</u>	<u>155°</u>	<u>Incoming</u>

THE NSF SYMBOL



A dishwasher or a dishwasher cycle that has the NSF symbol has been certified by the National Sanitation Foundation (NSF) to meet very strict requirements of wash time and water temperature to ensure dishware and kitchenware sanitization. These requirements are explained in the document ANSI/NSF 184, Residential Dishwashers. More information on NSF Certification is available at the NSF website, <http://www.nsfconsumer.org/home/appliances.asp>.

Your Bosch dishwasher is NSF certified. The Bosch dishwasher cycles that are NSF certified are Power Scrub Plus and Regular Wash. When these cycles are complete, the “Sanitized” indicator on your dishwasher control panel will illuminate.

NOTE: If your household water supply is too hot, your dishwasher’s heating time may be reduced and the “Sanitized” light or symbol may not illuminate. Your Bosch Dishwasher Installation Manual has information on the recommended temperature for your household hot water supply.

STATEMENT OF WARRANTIES - BOSCH DISHWASHERS

The warranties provided by BSH Home Appliances ("Bosch") in this Statement of Warranties apply only to Bosch Dishwashers sold to the first using purchaser by Bosch or its authorized dealers, retailers, or service centers in the United States or Canada. The Warranties provided herein are not transferrable. TO OBTAIN WARRANTY SERVICE, CONTACT THE NEAREST BOSCH AUTHORIZED SERVICE CENTER OR CALL 1-800-944-2904 OR WRITE BSH HOME APPLIANCES CORP. DIRECTLY AT 5551 McFADDEN AVENUE, HUNTINGTON BEACH, CA 92649. BE SURE TO PROVIDE YOUR DISHWASHER'S MODEL, SERIAL NUMBER, PURCHASE DATE, AND THE SELLER'S NAME AND ADDRESS.

*Date of installation shall refer to the earlier of the date the dishwasher is installed or ten business days after the delivery date.

1 Year Full Limited Warranty from Date of Installation*: Bosch will repair or replace any component part that proves defective under conditions of normal home use free of charge, labor and shipping costs included. Repair service must be performed by an Authorized Bosch Service Center (All cosmetic defects must be reported within 30 days of installation).

2 Year Limited Warranty from Date of Installation*: Bosch will provide replacement parts free of charge for any component part that proves defective under conditions of normal home use, labor charges excluded.

5 Year Limited Warranty on Electronics from Date of Installation*: Bosch will repair or replace any microprocessor or printed circuit boards that prove defective under conditions of normal home use during the second through the fifth year from the date of installation, labor charges excluded.

5 Year Limited Warranty from Date of Installation*: Bosch will replace the upper or lower dish rack (excluding rack components) free of charge, if the rack proves defective in materials or workmanship under conditions of normal home use during the second through the fifth year, labor charges excluded.

Lifetime Warranty against Stainless Steel Rust Through from Date of Installation: Bosch will replace your dishwasher with the same model or a current model that is equivalent or better in functionality if the inner liner should rust through under conditions of normal home use, labor charges excluded. Bosch will replace the stainless steel door of any dishwasher if the door should rust through under conditions of normal home use, labor charges excluded.

EXCLUSIONS: This warranty does not cover service calls or repairs to correct the installation of the dishwasher, to provide instructions on the use of your dishwasher, to replace fuses or to correct plumbing or the electric wiring in your home or to repair any dishwasher the use of which was in a manner other than what is normal and customary for home use. In addition, the warranties provided in this Statement exclude any defects or damage arising from accident, alteration, misuse, abuse, improper installation, unauthorized service work, external forces beyond Bosch's control, such as fire, flood, and other acts of God, or installation not in accordance with local electrical or plumbing codes. Labor charges incurred in the repair or replacement of any dishwasher more than one year from date of installation shall not be covered by this warranty. Any and all replaced and/or repaired parts shall assume the identity of the original for purposes of the applicable warranty period.

TO THE EXTENT PERMITTED BY LAW, THIS WARRANTY IS IN LIEU OF ALL OTHER EXPRESS AND IMPLIED WARRANTIES, INCLUDING THE IMPLIED WARRANTIES OF MERCHANTABILITY AND FITNESS FOR A PARTICULAR PURPOSE. BOSCH DOES NOT ASSUME ANY RESPONSIBILITY FOR INCIDENTAL OR CONSEQUENTIAL DAMAGES.

CUSTOMER SERVICE

Your Bosch dishwasher requires no special care other than that described in the Care and Maintenance section. If you are having a problem with your dishwasher, before calling for service please refer to the Self Help section. If service is necessary, contact your dealer or installer or an authorized service center. Do not attempt to repair the appliance yourself. Any work performed by unauthorized personnel may void the warranty.

If you are having a problem with your Bosch dishwasher and are not pleased with the service you have received, please take the following steps (in the order listed below) until the problem is corrected to your satisfaction:

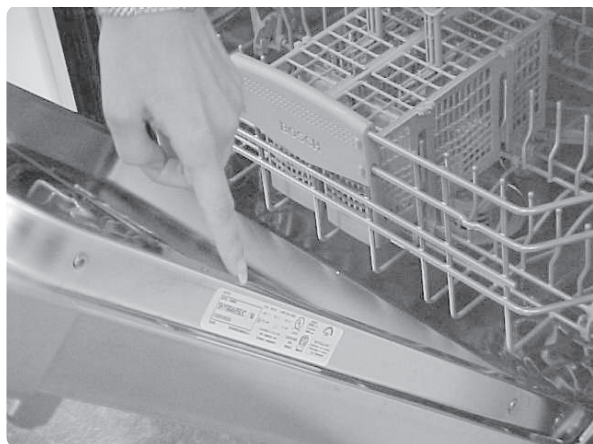
1. Contact your installer or the Bosch Authorized Service Contractor in your area.
2. E-mail us from the customer service section of our website, www.boschappliances.com.
3. Write us at the address below:
BSH Home Appliances, Corp.
5551 McFadden Avenue
Huntington Beach, CA 92649
4. Call us at 1-800-944-2904.

Please be sure to include (if you are writing), or have available (if you are calling), the following information:

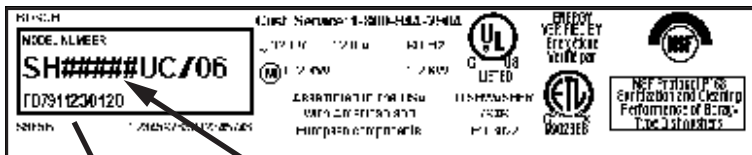
- Model number
- Serial number
- Date of original purchase
- Date the problem originated
- Explanation of the problem

You will find the model and serial number information on the label located on the right edge of the dishwasher door as shown in Figure B.

Figure B



Model and Serial Number Label



Serial Number Model Number

Also, if you are writing, please include a daytime phone number where you can be reached. Please make a copy of your invoice and keep it with this manual.

Félicitations et merci de Bosch !

Merci d'avoir choisi un lave-vaisselle Bosch. Vous avez rejoint les nombreux consommateurs qui exigent un rendement supérieur et silencieux de leur lave-vaisselle.

Ce guide a été écrit avec sécurité et côté pratique en tête et l'information contenue ici est importante. Nous recommandons fortement de lire ce guide avant d'utiliser ce lave-vaisselle la première fois.

Pour en connaître plus sur ce lave-vaisselle et les accessoires disponibles ainsi que les autres appareils Bosch de haute qualité, visitez notre site : www.boschappliances.com.

Vous pouvez communiquer avec nous pour tout commentaire et toute question en téléphonant au 1.800.944.2904 ou en écrivant à :

BSH Home Appliances, Corp.
5551 McFadden Avenue
Huntington Beach, CA 92649

Merci !

TABLE DES MATIÈRES

INSTRUCTIONS IMPORTANTES DE SÉCURITÉ.....	2
Composants, caractéristiques et options du lave-vaisselle	3
Matériaux	4
Fonctionnement	5-8
Mise en oeuvre du lave-vaisselle	5
Chargement	5-6
Ajout de détergent et d'agent de rinçage	6-7
Fonctionnement.....	7-8
Séchage de la vaisselle	8
Vidage du lave-vaisselle	8
Entretien	8-10
Aide	10
Durée du cycle / information sur l'utilisation de l'eau	11
Énoncé de garantie	12
Service à la clientèle	13

INSTRUCTIONS DE SÉCURITÉ IMPORTANTES



AVERTISSEMENT

RISQUE DE BLESSURE/MORT - DES BLESSURES SÉRIEUSES OU LA MORT PEUVENT SURVENIR SI LE LAVE-VAISSELLE DÉCRIT DANS CE GUIDE EST ACTIONNÉ INADÉQUATEMENT OU D'UNE FAÇON AUTRE QUE CELLE PRÉVUE. NE PAS UTILISER CE LAVE-VAISSELLE DÉCRIT DANS CE GUIDE D'UNE FAÇON AUTRE QUE CELLE EXPLIQUÉE DANS CE GUIDE.

1. Utiliser le lave-vaisselle Bosch seulement pour l'usage auquel il est destiné, qui est de laver la vaisselle et articles de cuisine.
2. Les lave-vaisselle Bosch sont dotés d'un guide contenant les instructions d'installation et d'utilisation et d'entretien. Lire et comprendre toutes les instructions avant d'utiliser le lave-vaisselle.
3. Utiliser seulement du détergent et de l'agent de rinçage recommandés pour l'utilisation avec lave-vaisselle et les conserver hors de la portée des enfants.
4. Au moment de charger des articles à laver :
 - a. Placer les articles afafûtés de façon à ne pas endommager le joint.
 - b. Charger les couteaux et autres articles affûtés, **LES MANCHES VERS LE HAUT**, pour réduire le risque de blessures.
5. Ne pas laver d'articles en plastique à moins qu'ils ne portent la marque «va au lave-vaisselle» ou l'équivalent. Pour ceux qui ne portent pas de marque, vérifier les recommandations du fabricant.
6. Ne pas actionner le lave-vaisselle tant que tous les panneaux ne sont pas en place.
7. Ne pas jouer avec ni outrepasser les contrôles et les verrouillages.
8. Ne pas abuser, s'asseoir, ni se tenir debout sur la porte ou les paniers du lave-vaisselle.
9. Pour réduire le risque de blessure, ne pas laisser les enfants jouer dans ou avec le lave-vaisselle.
10. Dans certains cas, de l'hydrogène peut se produire dans un système d'eau chaude qui n'a pas été utilisé pendant plus de 2 semaines. L'hydrogène est un gaz explosif. Avant d'utiliser un lave-vaisselle branché sur un système d'eau chaude non utilisé pendant plus de 2 semaines, ouvrir tous les robinets d'eau chaude et laisser couler l'eau quelques minutes. Ceci relâche tout hydrogène accumulé. Puisqu'il s'agit d'un gaz explosif, ne pas fumer ni utiliser de flamme nue pendant ce temps.
11. Enlever la porte de l'appareil si l'on enlève un ancien lave-vaisselle pour le jeter.
12. Pour éviter des dommages au plancher et de la moisissure, ne pas laisser des zones mouillées autour et sous le lave-vaisselle.



AVERTISSEMENT

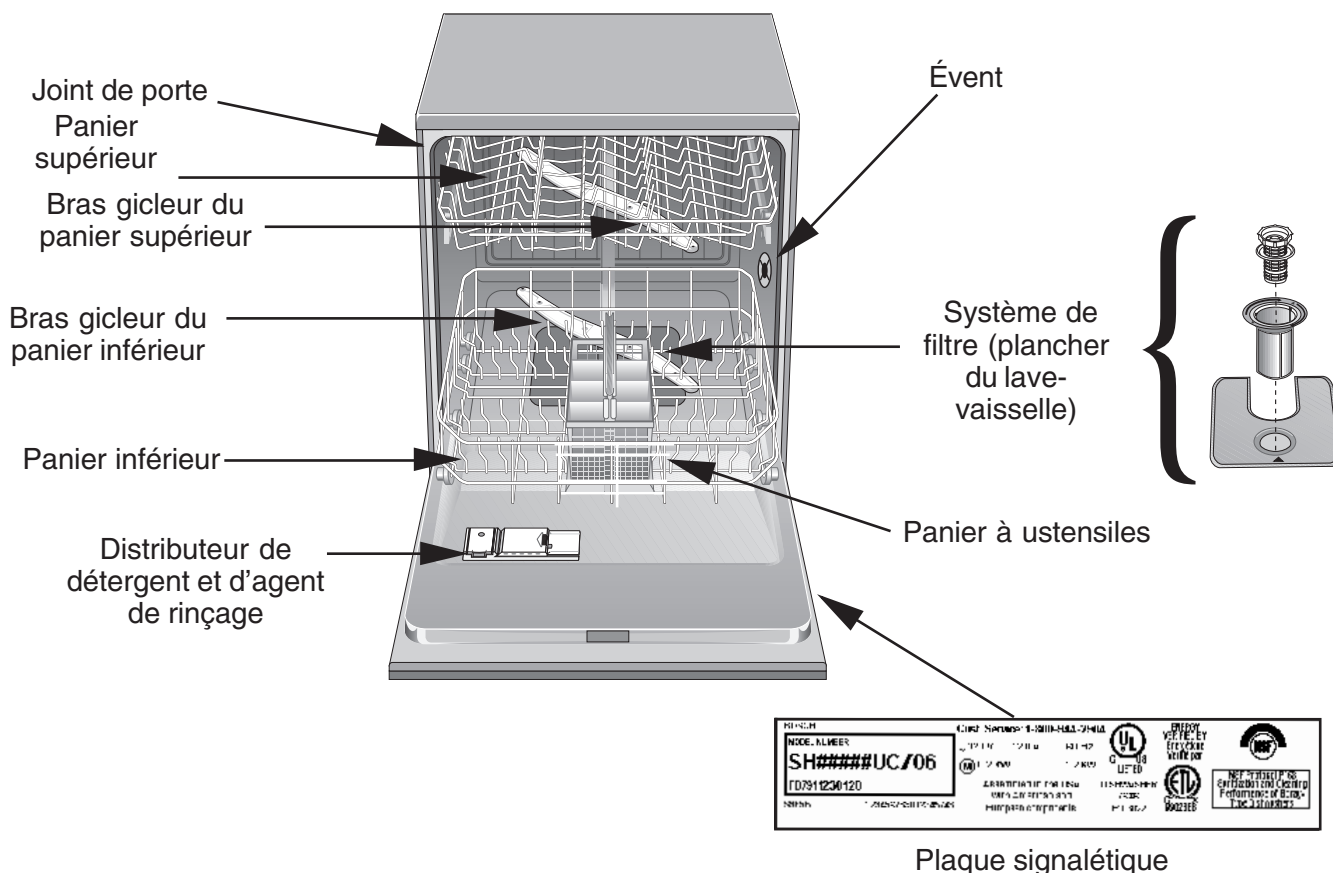
RISQUE DE CHOC ÉLECTRIQUE - IL PEUT RÉSULTER UN CHOC ÉLECTRIQUE SI L'ALIMENTATION DU LAE-VAISSELLE DÉCRIT DANS LE GUIDE EST MAL INSTALLÉ OU S'IL A MAL ÉTÉ MIS À LA TERRE. NE PAS UTILISER CET APPAREIL SI L'ON EST INCERTAIN SI L'ALIMENTATION A ÉTÉ CORRECTEMENT EFFECTUÉE OU SI L'APPAREIL A ÉTÉ MIS ADÉQUATEMENT À LA TERRE.

INSTRUCTIONS DE MISE À LA TERRE

Cet appareil doit être mis à la terre sur un système de câblage permanent ou un connecteur de mise à la terre d'équipement doit être acheminé avec des connecteurs de circuit et branché sur un fil ou une borne mis à la terre du lave-vaisselle. Voir le guide d'installation compris avec le lave-vaisselle pour plus de détails concernant les exigences électriques.

CONSERVER CES INSTRUCTIONS !

COMPOSANTS DU LAVE-VAISSELLE



CARACTÉRISTIQUES ET OPTIONS

Système de réduction de bruit AVS™ : système de moteur à deux pompes (54dB), moteur à suspension et triple isolation rendant le lave-vaisselle Bosch le plus silencieux en Amérique du Nord.

Séchage par condensation : un rinçage final à haute température, cuve en acier inoxydable à basse température, action de l'agent de rinçage pour un séchage hygiénique, énergétique et économique.

Signal de fin de cycle : Ce signal est une tonalité qui retentit lorsque le lave-vaisselle Bosch a complété le lavage et le séchage.

Système de filtre : trois filtres assurant la distribution d'eau propre et protégeant la pompe principale et celle de vidage des objets étrangers.

Chauffe-eau Flow-Through™ : chauffe l'eau jusqu'à une température de 161 °F.

Paniers en nylon : élimine les coupures et les encoches; garantie de 5 ans.

Voyant de remplissage d'agent de rinçage : un symbole à l'affichage DEL marque «remplir agent de rinçage» s'allume lorsque le distributeur doit être rempli.

Voyant sanitaire : un voyant DEL certifie que la vaisselle a été désinfectée selon les normes de la fondation sanitaire nationale.

SENSOTRONIC™ : vérifie la condition de l'eau et décide si un second remplissage d'eau fraîche est nécessaire.

Grande cuve en acier inoxydable TALLTUB™ : sans rouille, surface intérieure hygiénique, garantie à vie.

Cycle panier supérieur seulement Top Rack Only™ : Ce cycle permet d'économiser énergie, eau et détergent en lavant des charges assez petites pour le panier supérieur.

Arrêt de l'eau : caractéristique de sécurité qui arrête l'entrée d'eau si de l'eau est détectée à la base du lave-vaisselle.

MATÉRIAUX

REMARQUE : avant d'utiliser le lave-vaisselle Bosch la première fois, vérifier la rubrique Information. Certains articles que l'on désire laver ne sont peut-être pas sécuritaires au lave-vaisselle et devraient être lavés à la main. Communiquer avec le fabricant afin de s'assurer que ces articles vont au lave-vaisselle.

Habituellement sécuritaire

Aluminium : l'aluminium anodisé coloré peut s'estomper avec le temps. Les minéraux dans l'eau peuvent causer des taches ou noircir l'aluminium. Ceci peut habituellement être enlevé à l'aide d'un tampon en laine d'acier savonneux.

Porcelaine, cristal, faïence : certains articles peints à la main peuvent se décolorer, pâlir ou tacher. Laver à la main. Positionner la verrerie de façon à ce qu'elle ne s'entrechoque pas avec les autres pièces pendant le lavage.

Verre : les verres de lait peuvent jaunir.

Enduits non adhésifs : appliquer une légère couche d'huile végétale légère sur les surfaces antiadhésives après le séchage.

Plastique : s'assurer que les articles peuvent aller au lave-vaisselle.

Acier inoxydable, argent fin, argent plaqué : pour éviter la corrosion, placer les articles fabriqués de différents métaux de façon à ce qu'ils n'entrent pas en contact les uns avec les autres.

Non recommandé

Acrylique : des craquelures peuvent survenir.

Pièces collées : les adhésifs qui relient les joints comme du plastique, bois, os, cuivre, étain, etc. peuvent se défaire.

Ustensiles avec manches en os : les manches peuvent se détacher.

Fer : rouillera. Laver à la main et assécher immédiatement.

Articles n'allant pas au lave-vaisselle : le lave-vaisselle est destiné à des fins de nettoyage de vaisselle et accessoires de cuisine standard SEULEMENT.

Étain, laiton, bronze : l'étain ternit. Laver à la main et assécher immédiatement.

Fer blanc : rouillera. Laver à la main et assécher immédiatement.

Bois : les bols, ustensiles et manches en bois peuvent craquer, se voiler et perdre leur fini.

FONCTIONNEMENT

FONCTIONNEMENT

Mise en oeuvre

1. Généralités

a) Ne pas prélever les articles peu sales.

b) Enlever les grosses particules d'aliments, os, graines, cure-dents et graisse excessive.

c) Les aliments durcis ou incrustés doivent tremper et être récurés.

Chargement

1. Généralités

ATTENTION

DOMMAGE AU LAVE-VAISSELLE : mettre des objets comme papier, sacs en plastique, matériaux d'emballage ou objets autres que de la vaisselle ou articles de cuisine dans le lave-vaisselle peuvent endommager ce dernier. Mettre seulement des articles conçus pour les lave-vaisselle.

a) Vérifier la rubrique sur les matériaux en cas d'incertitude concernant un article.

b) Mettre seulement des articles allant au lave-vaisselle.

c) Placer les articles afin que l'eau puisse atteindre chaque pièce.

d) Placer les casseroles, poêles, tasses, bols et verres à l'envers dans les paniers.

e) Séparer les articles en métal semblables.

2. Charger le panier supérieur

a) Les figures 1, 2 et 3 montrent une charge mixte typique pour le panier supérieur.

Figure 1

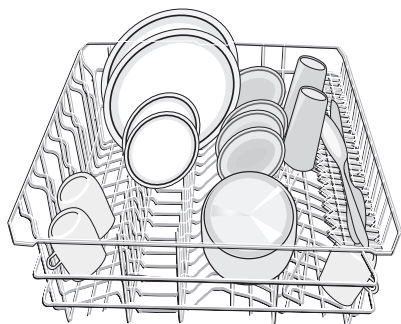


Figure 2

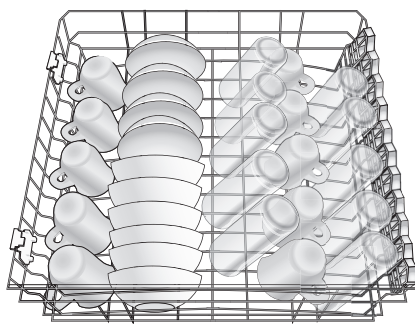
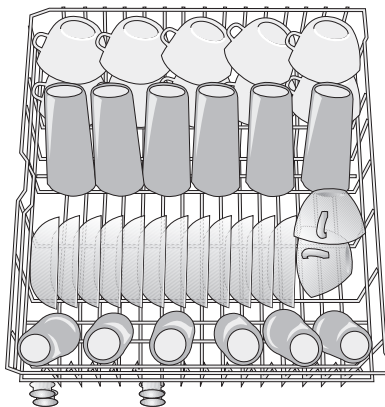


Figure 3



REMARQUE : pousser le panier supérieur dans le lave-vaisselle jusqu'à ce qu'il s'arrête au fond de la cuve. Autrement, le bras gicleur supérieur peut ne pas se brancher sur l'alimentation en eau.

b) Lorsque le panier supérieur est plein, le pousser au fond.

- Cycle panier supérieur seulement

Ce cycle permet d'économiser énergie, eau et détergent en lavant des charges assez petites pour le panier supérieur.

REMARQUE : ce cycle ne réduit pas le temps de lavage.

Pour utiliser ce cycle :

- Charger le panier supérieur.
- Presser la touche marche-arrêt.
- Presser la touche pour le cycle de lavage désiré.
- Presser la touche Top Rack Only.

3. Charger le panier inférieur

a) Placer les gros objets dans le panier inférieur à l'envers. Charge typique du panier inférieur, figures 4, 5 et 6.

Figure 4

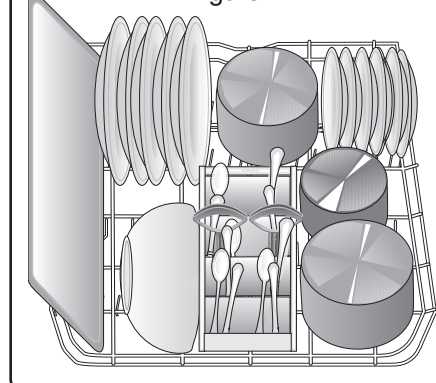


Figure 5

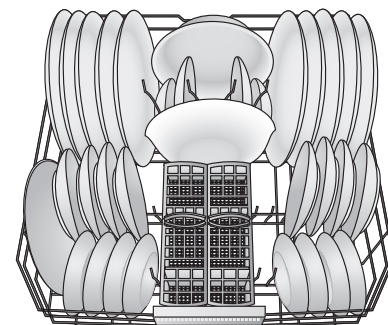
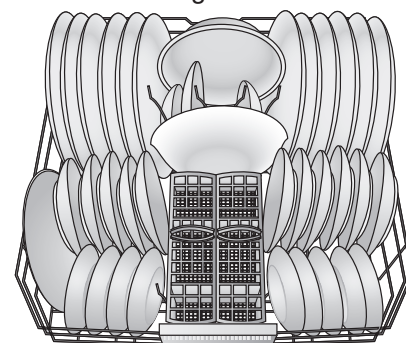


Figure 6



b) Lorsque le panier inférieur est plein, le pousser dans le lave-vaisselle.

4. Charger de grands articles

Si un article est trop haut pour être placé dans le panier inférieur même avec le panier supérieur en position élevée.

a) Enlever le panier supérieur vide en le tirant jusqu'à ce qu'il s'arrête.

FONCTIONNEMENT

b) Tirer le devant du panier vers le haut et l'extérieur jusqu'à ce que les roulettes se dégagent. Mettre le panier de côté.

c) Pousser les guides dans le lave-vaisselle.

d) Insérer le gicleur pour grands articles dans la sortie du gicleur du panier supérieur et tourner le gicleur dans le sens horaire pour verrouiller, figure 7.

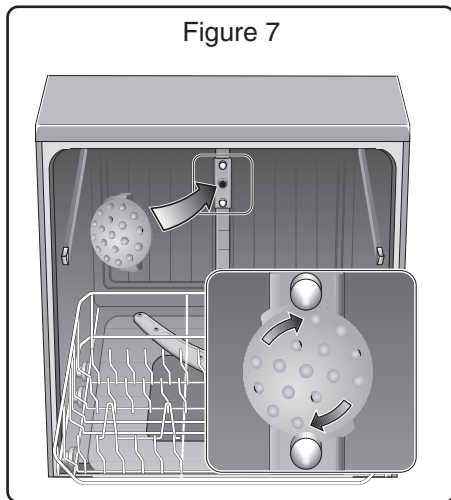
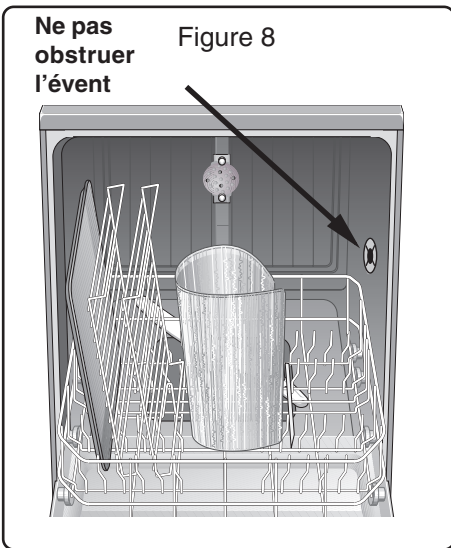


Figure 7

REMARQUE : ne pas obstruer l'évent du côté droit de la cuve. Placer les articles comme planche à découper en plastique, tôle à biscuits sur le côté gauche, au centre ou à l'arrière du panier inférieur.

e) Placer les grands articles dans le panier inférieur, figure 8.



Ne pas obstruer l'évent

Figure 8

ATTENTION

DOMMAGE AU LAVE-VAISSELLE : ne pas réinstaller le panier supérieur sans avoir enlevé le gicleur pour grands articles, sinon cela peut endommager le lave-vaisselle.

Pour enlever le gicleur et reprendre le fonctionnement normal.

f) Tourner le gicleur dans le sens contre horaire et l'enlever de la sortie du gicleur du panier supérieur.

g) Reprendre le panier supérieur.

h) Incliner le panier vers le haut et positionner les roulettes sur les guides.

i) Continuer à pousser le panier jusqu'à ce que les roulettes soient sur les guides.

j) Pousser le panier supérieur dans le lave-vaisselle.

5. Charger le panier à ustensiles

ATTENTION

RISQUE DE BLESSURE : couteaux et autres objets placés les manches vers le bas dans le panier peuvent causer des blessures sérieuses. Lorsque possible, les mettre le manche vers le haut. Ne pas laisser les enfants manipuler ou jouer près des couteaux et des ustensiles affûtés.

a) Éloigner les enfants des couteaux et autres objets affûtés.

REMARQUE : le dessus du panier à ustensiles peut être rabattu pour accommoder des articles gros ou de forme inhabituelle.

b) Le dessus du panier abaissé, charger le panier comme à la figure 9, en plaçant les couteaux les manches vers le haut et les fourchettes et cuillères manches vers le bas.

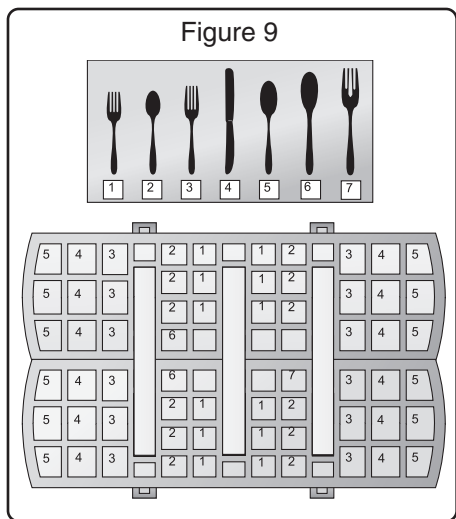


Figure 9

c) Si de grands objets de forme diverse doivent être chargés dans le panier à ustensiles avec le dessus élevé, les charger afin qu'ils ne soient pas tous les uns sur les autres. Charger couteaux et ustensiles affûtés les manches vers le haut.

Ajout de détergent et agent de rinçage

1. Détergents

ATTENTION

DOMMAGE AU LAVE-VAISSELLE : l'utilisation de détergent à vaisselle peut endommager le lave-vaisselle. Ne pas utiliser de détergent à main pour la vaisselle.

a) Utiliser seulement du détergent spécifiquement recommandé pour lave-vaisselle.

b) Le distributeur de détergent est doté de lignes de 15 et 25 ml. 45 ml de détergent remplissent complètement le distributeur.

ATTENTION

DOMMAGE AU LAVE-VAISSELLE : trop de détergent avec de l'eau douce peut causer des rayures sur la vaisselle. Ne pas trop utiliser de détergent si l'eau est douce.

REMARQUE : si l'on ne connaît pas la dureté de l'eau, commencer par 15 ml de détergent et augmenter au besoin à la quantité minimal requise pour nettoyer la vaisselle.

c) Utiliser les lignes du distributeur comme guide pour mesurer la quantité de détergent nécessaire comme montré au tableau 1.

Cycle lavage	Tableau 1		
	Type d'eau		
	Dure	Moyenne	Douce
Récurage plus	45ml	45ml	25-45ml
Lavage régulier	25-45ml	25ml	15-25ml
Délicat/Écono	25ml	15-25ml	15ml
Rinçage et attente	Aucun	Aucun	Aucun

2. Agents de rinçage

a) Toujours utiliser de l'agent de rinçage liquide, même si le détergent contient de l'agent de rinçage ou de séchage.

FONCTIONNEMENT

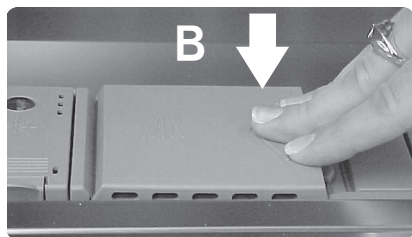
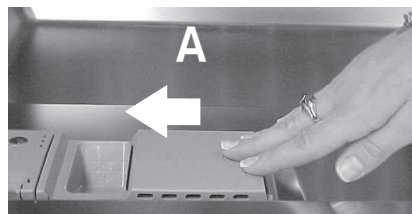
3. Distributeur de détergent et d'agent de rinçage

- Remplir le distributeur de détergent

a) Remplir le distributeur comme au tableau 1.

b) Faire glisser le couvercle du distributeur dans la direction indiquée à la figure 10A et le presser fermement, figure 10B, pour qu'il s'enclenche.

Figure 10

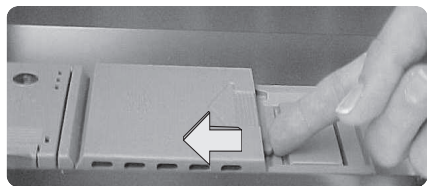


- Ouvrir le couvercle du distributeur

REMARQUE : Si l'on presse la languette de dégagement, cela n'ouvre pas le couvercle.

c) Presser la languette bleue dans le sens de la flèche, figure 11.

Figure 11



d) Le couvercle s'ouvre sur la droite.

- Remplir le distributeur d'agent de rinçage

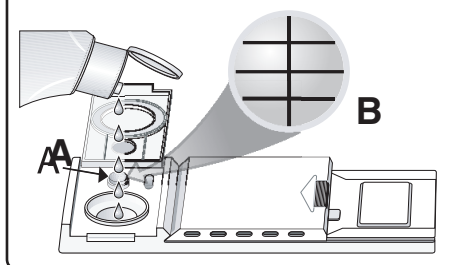
e) Ouvrir le distributeur d'agent de rinçage en pressant sur l'étoile sur le couvercle avec l'index tout en soulevant la languette avec le pouce, figure 12.

Figure 12



f) Ajouter l'agent de rinçage, figure 13A, jusqu'à ce que le réservoir soit plein. Essuyer l'excès accumulé lorsque le réservoir est plein.

Figure 13



g) Refermer le couvercle du distributeur d'agent de rinçage et presser fermement pour qu'il s'enclenche.

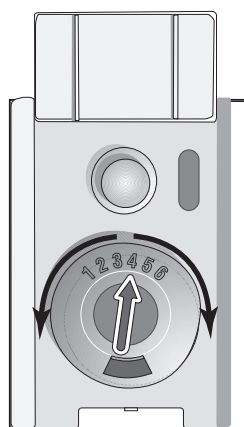
REMARQUE : la figure 13B montre un distributeur vide.

h) Remplir le distributeur lorsque le niveau montre un fond argenté avec des lignes noires, figure 13B ou quand le régulateur du distributeur d'agent de rinçage s'allume.

- Régulateur du distributeur d'agent de rinçage

La quantité d'agent de rinçage distribué peut être réglée afin de contrôler les taches et les rayures. Le régulateur est réglé à 4 en quittant l'usine, figure 14.

Figure 14



Pour régler la quantité d'agent de rinçage distribué :

h) Ouvrir le couvercle du distributeur d'agent de rinçage.

i) Si la vaisselle est rayée après le lavage, régler à un chiffre plus bas.

j) Si la vaisselle est tachée après le lavage, régler à un chiffre plus haut.

Fonctionnement

1. Sélection du cycle de lavage

ATTENTION

DOMMAGE AU LAVE-VAISSELLE : les articles délicats ou précieux peuvent être endommagés dans le lave-vaisselle. Ne pas les mettre au lave-vaisselle s'il y a possibilité de bris.

a) Articles avec résidus incrustés, séchés requièrent un lavage récurage plus ou récurage et possiblement un trempage ou un récurage à la main.

b) Le cycle régulier nettoie les charges ayant des résidus d'aliments lâches, normaux.

c) Le cycle rinçage/attente permet de garder une petite charge dans l'appareil jusqu'à ce qu'il y en ait suffisamment pour une charge pleine.

Plus d'information sur les cycles du lave-vaisselle Bosch à la rubrique Information sur l'utilisation d'eau et durée du cycle.

2. Mise en marche

a) S'assurer que la porte du lave-vaisselle est bien fermée.

b) Presser la touche marche-arrêt.

c) Presser la touche pour le cycle désiré.

d) Fermer la porte.

e) Le lave-vaisselle se met en marche et continue jusqu'à la fin du cycle.

Une fois le lave-vaisselle actionné, laisser la porte fermer jusqu'à la fin du cycle.

3. Interruption d'un cycle

REMARQUE : s'il faut arrêter un cycle (pour ajouter ou enlever un article, détergent, etc.), il est préférable de le faire dans les 30 premières minutes du cycle.

a) Ouvrir suffisamment la porte un peu et attendre au moins 10 sec ou jusqu'à ce que les bruits d'eau cessent avant d'ouvrir la porte complètement.



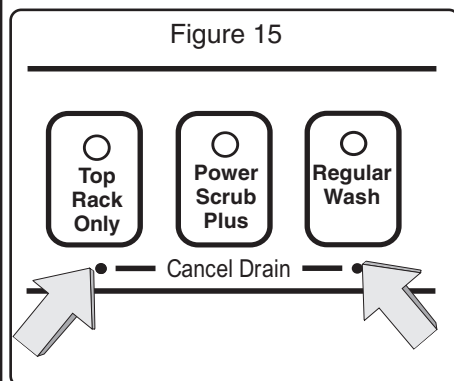
AVERTISSEMENT

RISQUE DE BRÛLURE : l'on peut se brûler si l'on ouvre rapidement la porte pendant un cycle de lavage ou rinçage. Ne pas ouvrir la porte entièrement pendant au moins 10 secondes ou jusqu'à ce que les bruits d'eau cessent.

b) Pour continuer un cycle, fermer la porte.

4. Annulation ou changement de cycle

a) Presser et maintenir les 2 touches Cancel Drain, pour trois seconde, figure 15.



b) Attendre environ 1 minute, puis presser la touche marche-arrêt.

c) L'on peut actionner un nouveau cycle.

Séchage

À la fin du cycle, l'appareil s'arrête et une période de séchage par condensation suit (voir Caractéristiques, accessoires et options pour plus de détails). Après 12 à 15 minutes de séchage :

- l'affichage DEL indique «0»,
- le voyant sanitaire s'allume (sauf avec lavage rapide et rinçage/attente)
- le Signal de fin de cycle retentit dépend du réglage.

REMARQUE : pour accélérer et maximiser le séchage, ouvrir la porte, tirer de quelques pouces le panier supérieur et y appuyer la porte.

- Voyant sanitaire

Lorsque le voyant sanitaire s'allume, cela indique que la vaisselle et les ustensiles sont hygiéniques selon les exigences de la NSF. Pour plus de détails, voir la rubrique Cycle de lavage dans ce guide.

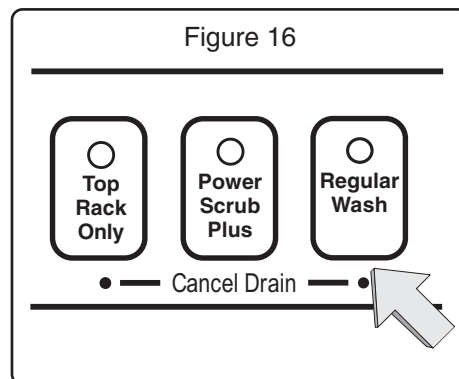
- Signal de fin de cycle

Ce signal est une tonalité qui retentit lorsque le lave-vaisselle Bosch a complété le lavage et le séchage. L'on peut annuler la tonalité ou la régler à un des deux autres niveaux (le lave-vaisselle quitte l'usine avec la tonalité au plus bas).

Pour changer la tonalité :

a) Ouvrir suffisamment la porte pour exposer les touches de contrôle.

b) Presser et maintenir la touche sur la droite "Cancel Drain", figure 16, puis presser la touche marche-arrêt.



Lorsque la tonalité se fait entendre et que l'affichage s'allume, relâcher les touches.

c) Presser la touche Cancel Drain jusqu'à ce que la tonalité soit au réglage désiré ou supprimé. L'affichage indique 0 (supprimé), 1, ou 2 (plus fort).

d) Presser la touche marche-arrêt.

e) Fermer la porte du lave-vaisselle. Le signal de fin de cycle est réglé et l'on peut laver la vaisselle.

Décharger le lave-vaisselle

1. Généralités

- a) Vider le panier inférieur d'abord.
- b) Vider le(s) panier(s) à ustensiles. Ils s'enlèvent pour plus de facilité.
- c) Vider le panier supérieur.
- d) Si le gicleur pour grands articles est installé, remettre le lave-vaisselle à son état d'origine (voir les instructions à cet effet à la rubrique Chargement dans ce guide).

ENTRETIEN

Entretien

Certaines sections du lave-vaisselle Bosch requièrent un entretien occasionnel facile à faire pour un rendement supérieur.

- Essuyer les déversements
- Hivérifier le lave-vaisselle Bosch
- Vérifier et nettoyer les embouts du bras gicleur
- Nettoyer la cuve et l'intérieur de porte en acier inoxydable
- Vérifier et nettoyer le système de filtre
- Nettoyer le panneau de porte extérieur
- Nettoyer le joint de porte

1. Essuyer les déversements

L'eau peut occasionnellement éclabousser hors du lave-vaisselle Bosch surtout si l'on arrête un cycle ou ouvre la porte pendant un cycle. Essuyer immédiatement toute eau.

2. Hivérifier le lave-vaisselle Bosch

ATTENTION

DOMMAGE POSSIBLE AU LAVE-VAISSELLE : des températures froides peuvent endommager le lave-vaisselle. Ne pas laisser l'eau stagner dans la canalisation d'eau ou le système de vidage pendant de longues périodes à des températures très froides.

Si le lave-vaisselle n'est pas utilisé pendant une longue période à des températures très froides (ex. : chalet, vacances), il faut drainer l'eau à l'intérieur de l'appareil.

a) Fermer l'alimentation en eau.

b) Débrancher le tuyau de vidage et laisser l'appareil se vider complètement dans un seau ou récipient semblable.

3. Vérifier et nettoyer la cuve et l'intérieur de porte en acier inoxydable

a) Nettoyer les bords extérieurs du panneau de porte intérieure régulièrement pour enlever tout débris accumulé.

b) Si des taches commencent à paraître sur l'acier inoxydable, s'assurer que le distributeur d'agent de rinçage est plein.

ENTRETIEN

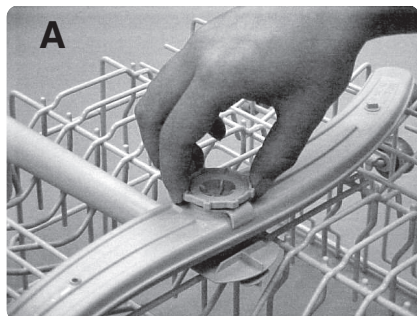
4. Vérifier et nettoyer les embouts de bras gicleur

Vérifier occasionnellement les bras gicleurs pour s'assurer qu'il n'y a pas d'obstruction. Il faut enlever le bras pour vérifier.

- Enlever le bras gicleur supérieur :

- a) Enlever le panier supérieur vide.
- b) Mettre le panier à l'envers. Le bras gicleur est maintenu en position par un écrou de verrouillage, figure 17A. Tourner cet écrou dans le sens contre horaire 1/8 de tour et l'enlever, figure 17B, pour dégager le bras.

Figure 17



c) Enlever le bras gicleur, figure 18.

Figure 18



- d) Vérifier les obstructions.
- e) Si les embouts doivent être nettoyés, les passer à l'eau courante.

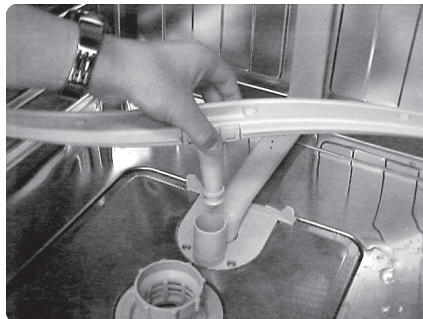
- Pour réinstaller le bras gicleur supérieur :

- f) Remettre le bras gicleur supérieur à sa position.
- g) Remettre l'écrou de verrouillage à sa position et le tourner 1/8 de tour dans le sens horaire.
- h) Remettre le panier supérieur dans ses guides.

- Enlever le bras gicleur inférieur :

- i) Enlever le panier inférieur vide.
- j) Saisir et soulever le bras gicleur inférieur, figure 19.

Figure 19



- k) Vérifier s'il y a obstruction dans les embouts du bras gicleur.
- l) Si le bras doit être nettoyé, le passer à l'eau courante.

- Réinstaller le bras gicleur :

- m) Remettre le bras gicleur en position et le presser pour qu'il s'enclenche en place.
- n) Remettre le panier inférieur en place.

5. Vérifier et nettoyer le système de filtre

Tous les lave-vaisselle Bosch sont dotés d'un système de filtre fabriqué d'un assemblage de filtre cylindre/ crépine pour gros objets et filtre fin et certains modèles Bosch ont un micro filtre additionnel. Le système de filtre est situé sur le plancher du lave-vaisselle et est facilement accessible.

Pendant un usage normal, le système de filtre s'autonettoie, mais il doit être vérifié occasionnellement et nettoyé au besoin.

- Pour enlever l'assemblage filtre cylindre/crépine :

- a) Enlever le panier inférieur.
- b) Saisir l'assemblage, figure 20, et tourner 1/4 tour dans le sens contre horaire.

Figure 20



- c) Soulever l'assemblage et le sortir, figure 21.

Figure 21



ATTENTION

RISQUE DE BLESSURES : la crépine pour gros objets peut contenir des objets tranchants. Ne pas prendre avec les doigts.

- d) Vérifier l'assemblage. S'il y a des débris, tourner la crépine à l'envers sur une surface, un plan de travail et la taper délicatement pour enlever tout débris. Passer à l'eau courante.

- Pour enlever le filtre fin et le filtre fino :

- e) Soulever le filtre fin du plancher du lave-vaisselle, figure 22, et le passer à l'eau courante.

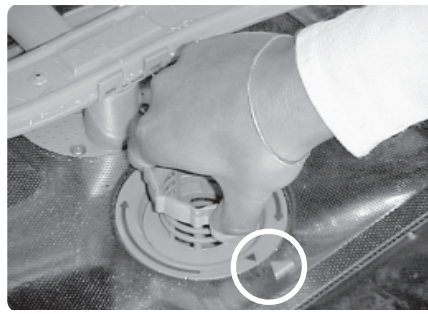
Figure 22



- Réinstaller le système de filtre :

- f) Remettre le filtre fin en position.
- g) Remettre l'assemblage filtre cylindre/crépine en position dans le plancher du lave-vaisselle.
- h) Tourner la poignée de l'anneau 1/4 tour dans le sens horaire jusqu'à ce qu'elle se verrouille. La flèche sur la poignée et celle du filtre fin doivent se pointer, figure 23.

Figure 23



- l) Tirer légèrement sur la poignée pour s'assurer que l'assemblage est bien en place.

6. Nettoyer le panneau de porte extérieur

ATTENTION

DOMMAGE POSSIBLE AU LAVE-VAISSELLE : les produits chimiques durs, abrasifs, tampons à récuser (métal ou plastique), tissus ou essuie-tout abrasifs peuvent endommager l'extérieur de la porte. Ne pas utiliser pour nettoyer l'extérieur de la porte.

- Porte de couleur

- a) Utiliser seulement un chiffon doux légèrement humide d'eau savonneuse.

- Porte en acier inoxydable

- a) Utiliser un chiffon doux avec un produit non abrasif (préférentiellement liquide à vaporiser) conçu pour l'acier inoxydable. Pour de meilleurs résultats, appliquer le produit sur le chiffon, puis essuyer la surface.

7. Nettoyer le joint de porte

- a) Nettoyer régulièrement le joint de porte avec un chiffon humide pour enlever les particules d'aliments et autres objets.

AIDE

Les lave-vaisselle peuvent parfois présenter des problèmes non reliés à un mauvais fonctionnement. L'information suivante peut aider à résoudre un problème sans avoir recours à un technicien.

Vaisselle non sèche

Le distributeur d'agent de rinçage peut être vide. Le vérifier et le remplir au besoin. Le séchage de la vaisselle peut être accéléré en ouvrant la porte du lave-vaisselle et en la laissant entrouverte avec le panier supérieur.

Voyant(s) non allumé(s)

Vérifier le fusible ou coupe-circuit à la boîte électrique et remplacer le fusible ou réenclencher le coupe-circuit au besoin.

Pas de mise en marche

S'assurer que la porte du lave-vaisselle est bien fermée et verrouillée.

Lave-vaisselle fonctionne longtemps

Peut être causé par de l'eau froide qui entre. Avant de mettre le lave-vaisselle en marche, ouvrir le robinet d'eau chaude à l'évier jusqu'à ce qu'elle soit chaude, fermer le robinet. Mettre le lave-vaisselle en marche.

Cycle ne passant pas au rinçage

REMARQUE : le guide d'installation fourni avec le lave-vaisselle peut aider avec les instructions suivantes :

La canalisation en eau peut être fermée. Vérifier la soupape d'alimentation en eau et l'ouvrir au besoin.

Eau non vidée du lave-vaisselle

S'assurer que le tuyau de vidage n'est pas plié, obstrué ou mal installé. S'assurer qu'une portion du tuyau est au moins à 20 po au-dessus du plancher (voir le guide d'installation). Les filtres peuvent être obstrués. S'assurer que le système de filtre n'est pas obstrué (voir la rubrique Entretien). Le drain de l'évier peut être obstrué ; il faudra peut-être un plombier plutôt qu'un technicien. Si un intervalle d'air est installé à l'évier, il peut être obstrué.

Couvercle du distributeur de détergent ne ferme pas

Le couvercle est mal fermé ou un cycle n'était pas terminé et doit être annulé. Voir la rubrique Ajout de détergent et agent de rinçage pour plus de détails. Voir la rubrique Fonctionnement pour plus de détails sur l'annulation d'un cycle.

Taches blanches ou rayures sur vaisselle et verres

Agent de rinçage additionnel nécessaire. Voir la rubrique Ajout de détergent et agent de rinçage pour plus de détails sur la quantité appropriée à utiliser.

Rainures sur les verres

Trop d'agent de rinçage. Aller à la rubrique Ajout de détergent et agent de rinçage dans ce guide d'instructions concernant les quantités appropriées.

Bruits

Les ustensiles sont mal placés.

Mousse dans le lave-vaisselle



Mauvais type de détergent utilisé. Prendre seulement du détergent pour lave-vaisselle automatiques.

Résultats insatisfaisants

- Quantité incorrecte de détergent.
- Ustensiles mal placés ou panier trop plein.
- Rotation du bras gicleur bloquée par des ustensiles.
- Embouts du bras gicleur à nettoyer.
- Filtres mal placés.
- Cycle inadéquat sélectionné.

INFORMATION SUR LA DURÉE DU CYCLE ET UTILISATION D'EAU

REMARQUE : la durée du cycle et la consommation d'eau dépendent largement de la température d'eau de la résidence et de la charge à laver, des facteurs sur lesquels Bosch n'a aucun contrôle. Par conséquent, les durées et les quantités données dans le tableau sont approximatives.

		 Récurage Plus	 Lavage régulier	Rinçage & Hold
Durée cycle (minutes)		136	108	9
Consommation en eau en gallons	Minimum	6.1	3.5	1.3
	Maximum	8.3	7	1.3
Consommation en eau en liters	Minimum	23.2	13.1	4.8
	Maximum	31.6	26.4	4.8
<u>Temp Lavage °F</u>		<u>161°</u>	<u>140°</u>	<u>Entrante</u>
<u>Temp Lavage °C</u>		<u>161°</u>	<u>155°</u>	<u>Entrante</u>

SYMBOLE NSF

Un lave-vaisselle ou un cycle qui est doté du symbole NSF a été certifié par la National Sanitation Foundation (fondation nationale d'hygiène) pour répondre aux exigences très strictes de durée de lavage et de température d'eau pour s'assurer que la vaisselle et ustensiles sont hygiéniques. Ces exigences sont expliquées dans la documentation ANSI/NSF 184. Pour plus de détails, consulter le site NSF au : <http://www.nsfconsumer.org/home/appliances.asp>.

Le lave-vaisselle Bosch est certifié NSF. Les cycles du lave-vaisselle Bosch qui sont certifiés sont : récurage plus «Power Scrub Plus» et lavage régulier «Regular Wash». Lorsque ces cycles sont complétés, le voyant «Sanitized» (sanitaire) sur le panneau de contrôle du lave-vaisselle s'allume.

REMARQUE : si l'alimentation en eau de la résidence est trop chaude, le temps de chauffage du lave-vaisselle peut être réduit et le voyant Sanitized peut ne pas s'allumer. Le guide d'installation du lave-vaisselle Bosch donne les informations quant à la température recommandée pour l'alimentation en eau chaude.

ÉNONCÉ DE GARANTIE - LAVE-VAISSELLE BOSCH

Les garanties fournies par BSH Home Appliances («Bosch») dans cet énoncé de garantie s'appliquent seulement aux lave-vaisselle vendus au premier utilisateur acheteur par Bosch ou un marchand, détaillant ou centre de service autorisé aux États-Unis ou au Canada. Les garanties suivantes ne sont pas transférables. POUR OBTENIR UN SERVICE, COMMUNIQUER AVEC LE CENTRE DE SERVICE BOSCH AUTORISÉ LE PLUS PRÈS OU TÉLÉPHONER AU 1.800.944.2904 OU ÉCRIRE À : BSH HOME APPLIANCES CORP., 5551 McFADDEN AVENUE, HUNTINGTON BEACH, CA 92649. S'ASSURER D'INCLURE LE NUMÉRO DE MODÈLE DU LAVE-VAISSELLE, LE NUMÉRO DE SÉRIE, LA DATE D'ACHAT ET LES NOM ET ADRESSE DU MARCHAND.

*La date d'installation réfèrera à la date la plus tôt où le lave-vaisselle a été installé ou 10 jours ouvrables après la date de livraison.

Garantie limitée complète de 1 an depuis la date d'installation* : Bosch réparera ou remplacera toute pièce de composant présentant un défaut dans des conditions d'utilisation domestique normales sans frais, les frais de main-d'oeuvre et d'expédition sont compris. La réparation doit être effectuée par un centre de service Bosch autorisé (les défauts esthétiques doivent être rapportés dans un délai de 30 jours suivant l'installation).

Garantie limitée de 2 ans depuis la date d'installation* : Bosch fournira les pièces de rechange sans frais pour toute pièce de composant présentant un défaut dans des conditions d'utilisation domestique normales, frais de main-d'oeuvre non compris.

Garantie limitée de 5 ans sur les pièces électroniques depuis la date d'installation* : Bosch réparera ou remplacement tout microprocesseur ou panneaux de circuits imprimés présentant un défaut dans des conditions d'utilisation domestique normales de la deuxième à la cinquième année, frais de main-d'oeuvre non compris.

Garantie limitée de 5 ans depuis la date d'installation* : Bosch remplacera le panier supérieur ou inférieur (excluant les composants du panier) sans frais, si le panier présente un défaut de fabrication ou matériaux dans des conditions d'utilisation domestique normales de la deuxième à la cinquième année, frais de main-d'oeuvre non compris.

Garantie à vie contre la rouille de l'acier inoxydable depuis la date d'installation : Bosch remplacera le lave-vaisselle avec un même modèle ou un modèle semblable si la doublure intérieure devrait rouiller dans des conditions d'utilisation domestique normales, frais de main-d'oeuvre non compris. Bosch remplacera la porte en acier inoxydable de tout lave-vaisselle si la porte présente de la rouille dans des conditions d'utilisation domestique normales, frais de main-d'oeuvre non compris.

EXCLUSIONS : cette garantie ne couvre pas les appels de service ou de réparation pour corriger l'installation du lave-vaisselle, pour donner des instructions quant à l'utilisation du lave-vaisselle, le remplacement de fusible ou la correction de la plomberie ou du câblage électrique dans la résidence ou la réparation du lave-vaisselle utilisé de façon autre que l'usage auquel il est destiné, soit un usage normal à des fins domestiques. De plus, les garanties stipulées dans l'énoncé excluent tout défaut ou dommage survenant à cause d'accident, modification, mauvaise utilisation, abus, installation inadéquate, réparation non autorisée, forces externes hors du contrôle de Bosch tels actes de Dieu, ou installation non conforme aux codes électriques ou de plomberie locaux. Les frais de main-d'oeuvre encourus pour la réparation ou le remplacement de tout lave-vaisselle de plus d'un an depuis la date d'installation ne seront pas couverts par cette garantie. Toute pièce réparée et/ou remplacée par des pièces semblables à des fins de la période de garantie applicable.

SELON CE QUI EST PERMIS PAR LA LOI, CETTE GARANTIE EST EN LIEU DE TOUTE AUTRE GARANTIE EXPRESSE OU IMPLICITE, INCLUANT LES GARANTIES IMPLICITES OU DE COMMERCIALISATION ET DESTINÉES À DES FINS PARTICULIÈRES. BOSCH N'ASSUME AUCUNE RESPONSABILITÉ POUR LES DOMMAGES INTÉRÊTS OU ACCESSOIRES.

SERVICE À LA CLIENTÈLE

Le lave-vaisselle Bosch ne requiert aucun entretien autre que celui décrit à la rubrique Entretien. En cas de problème avec le lave-vaisselle, avant de téléphoner pour un service, consulter la rubrique Aide. Si un service est nécessaire, communiquer avec le marchand, l'installateur ou un centre de service autorisé. Ne pas tenter de réparer l'appareil. Toute réparation effectuée par une personne non autorisée peut annuler la garantie.

En cas de problème avec le lave-vaisselle Bosch et de l'insatisfaction du service reçu, prendre les mesures nécessaires (dans l'ordre indiqué ci-dessous) jusqu'à la correction satisfaisante du problème.

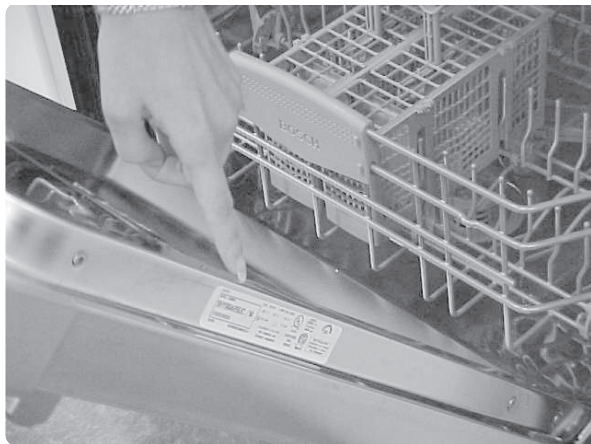
1. Communiquer avec l'installateur ou un centre de service autorisé Bosch dans la région.
2. Envoyer un courriel depuis la section du service à la clientèle de notre site web, www.boschappliances.com.
3. Écrire à l'adresse ci-dessous :
BSH Home Appliances, Corp.
5551 McFadden Avenue
Huntington Beach, CA 92649
4. Téléphoner au 1.800.944.2904.

S'assurer d'inclure, par écrit, ou d'avoir à la portée (par téléphone ce qui suit :

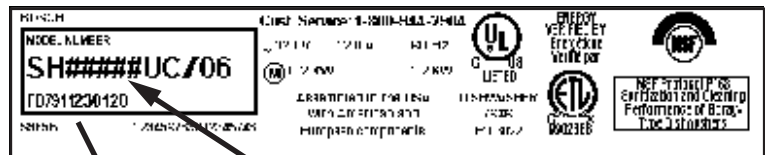
- Numéro de modèle
- Numéro de série
- Date d'achat d'origine
- Date d'origine du problème
- Explication du problème

Les numéros de modèle et de série sont indiqués sur la plaque signalétique située sur le bord droit de la porte du lave-vaisselle, figure B.

Figure B



Model and Serial Number Label



Serial Number Model Number

De plus, si par écrit, inclure un numéro de téléphone pendant la journée où l'on peut vous rejoindre. Faire une copie de la facture et la conserver avec ce guide.

¡Felicidades y Gracias de Parte de Bosch!

Gracias por haber escogido la lavadora de platos Bosch. Usted se ha unido a muchos clientes quienes exigen un rendimiento silencioso y excepcional de su lavadora de platos.

Este manual ha sido escrito tomando en cuenta su seguridad y comodidad. La información incluida es muy importante. Le aconsejamos que lea este manual antes de utilizar su lavadora por la primera vez.

Para averiguar aún más detalles acerca de su lavadora y los accesorios disponibles, además de muchos otros aparatos domésticos de la alta calidad Bosch, visite nuestro sitio web a: www.boschappliances.com.

Por favor comuníquese con nosotros en caso de que se le ocurran preguntas o comentarios. Nos puede llamar al número telefónico gratis: 1-800-944-2904, o nos puede mandar una carta a la dirección postal:

BSH Home Appliances, Corp.
5551 McFadden Avenue
Huntington Beach, CA 92649

!Disfrútela!

TABLA DE MATERIAS

INSTRUCCIONES IMPORTANTES PARA REDUCIR RIESGOS	2
Componentes, Características y Opciones de la Lavadora	3
Materiales	4
Como Funciona la Lavador	5-8
Preparación de la Vajilla	5
Como Cargar la Lavadora	5-6
Como Añadir Detergente y Agente de Enjuague	6-7
Como Funciona la Lavadora	7-8
Como Secar la Vajilla	8
Como Descargar la Lavadora	8
Cuidado y Mantenimiento	8-10
Autoayuda	10
Datos -- Duración de los Ciclos/Consumo de Agua	11
Declaración de las Garantías	12
Servicio al Cliente	13

INSTRUCCIONES IMPORTANTES PARA REDUCIR RIESGOS



AVISO

PELIGRO DE HERIDAS O MUERTE - HERIDAS GRAVES O HASTA LA MUERTE PODRÍAN RESULTAR SI LA LAVADORA DESCRITA EN ESTE MANUAL SE OPERA INCORRECTAMENTE O DE ALGÚN MODO CONTRARIO AL PROPÓSITO INTENCIONADO. NO UTILICE LA LAVADORA DESCRITA EN ESTE MANUAL DE CUALQUIER MODO O PARA CUALQUIER OTRO FIN DIFERENTE DE LOS QUE SE DETALLAN DENTRO DE ESTE MANUAL.

1. Utilice las lavadoras de platos Bosch únicamente para realizar la función intencionada que es la de lavar la vajilla y los utensilios de cocina en su hogar.
2. La lavadora de platos de Bosch vienen con un manual que contiene tanto las Instrucciones de instalación como el Manual de Uso y Cuidado. Lea y comprenda todas las instrucciones antes de utilizar la lavadora.
3. Utilice únicamente detergentes o agentes de enjuague recomendados para uso en lavadoras de platos y manténgalos fuera del alcance de niños.
4. A medida que cargue los artículos para lavar:
 - a. Acomode los artículos filosos de modo que no dañen el sello de la puerta.
 - b. Cargue los cuchillos y otros utensilios filosos **CON EL MANGO HACIA ARRIBA** para reducir el riesgo de cortarse.
5. No lave artículos de plástico a menos de que indiquen “a prueba de lavadora de platos” [*dishwasher safe*]. En cuanto a los productos de plástico que no lleven tal aviso, consulte el fabricante para averiguar sus recomendaciones.
6. No opere su lavadora a menos de que todos los paneles del gabinete estén instalados correctamente.
7. No intente alterar, modificar o sobrecontrolar los controles o los interruptores de seguridad eléctricos.
8. No abuse ni se sienta o se pare en la puerta o en los estantes de la lavadora.
9. Con el fin de reducir el riesgo de heridas, no permita que niños jueguen adentro o encima de la lavadora.
10. Bajo ciertas condiciones, el gas hidrógeno podría acumularse en un sistema de agua caliente que no se ha usado durante por lo menos dos semanas. El gas hidrógeno es explosivo. Antes de usar una lavadora conectada a un sistema de agua caliente que no ha sido operada por dos o más semanas, abra todas las llaves de agua caliente y permita que corra el agua por algunos minutos. De este modo se dispersa el gas hidrógeno que se acumuló. Ya que el gas podría explotar, no fume ni prenda una llama durante este proceso.
11. Quite la puerta del compartimiento de lavado (la tina) antes de poner la lavadora fuera de servicio o cuando la deseche.
12. Para no dañar el piso y evitar la posible formación de moho, no permita áreas húmedas alrededor o abajo de la lavadora de platos.



AVISO

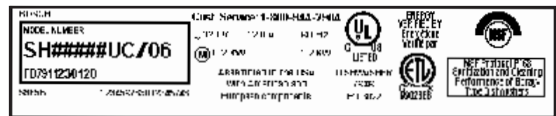
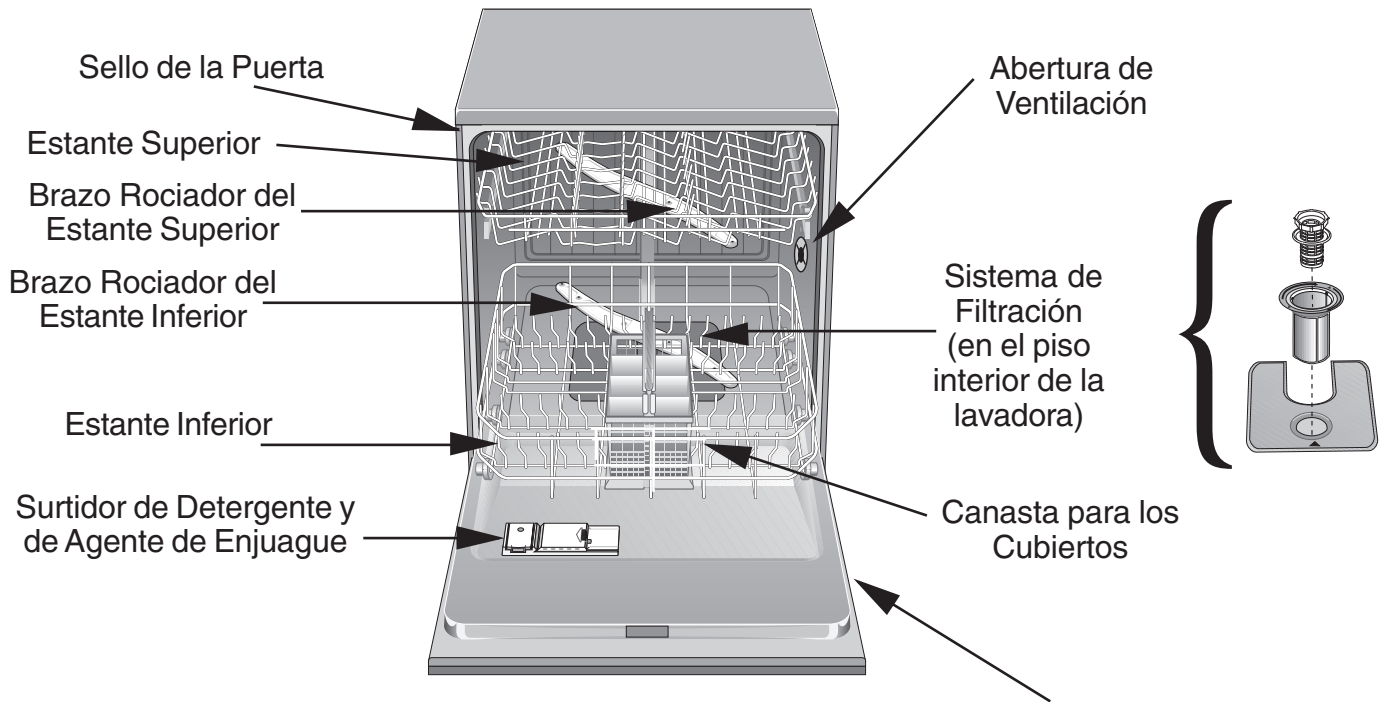
PELIGRO DE CHOQUE ELÉCTRICO - CHOQUES ELÉCTRICOS PODRÍAN RESULTAR SI LA FUENTE ELÉCTRICA PARA LA LAVADORA DESCRITA EN ESTE MANUAL SE INSTALÓ INCORRECTAMENTE O SI LA LAVADORA NO ESTÁ PUESTA A TIERRA ADECUADAMENTE. NO UTILICE LA LAVADORA DESCRITA EN ESTE MANUAL SI NO ESTÁ SEGURO/A DE QUE LA ALIMENTACIÓN ELÉCTRICA SE INSTALÓ CORRECTAMENTE O QUE LA LAVADORA ESTÉ DEBIDAMENTE PUESTA A TIERRA.

INSTRUCCIONES PARA LA PUESTA A TIERRA

Este aparato debe estar puesto a tierra por medio de un sistema permanente de cableo metálico o de un dispositivo conductor de puesta a tierra instalado con los conductores de circuito y conectado a la borna de la puesta a tierra del equipo o de la lavadora. Consulte el Manual de Instalación que acompaña esta lavadora para averiguar más información acerca de los requisitos del equipo eléctrico.

¡GUARDE ESTAS INSTRUCCIONES!

COMPONENTES DE LA LAVADORA DE PLATOS



Placa/Etiqueta con el Número de Modelo y el de Serie

CARACTERÍSTICAS Y OPCIONES

Sistema de Reducción de Ruido AVS™: Un sistema motorizado con dos bombas (54dB), el Motor de Suspensión [*Suspension Motor™*] y el aislamiento triple establecen las lavadoras Bosch como las más silenciosas de todo Norteamérica.

Secado por Condensación: El enjuague final realizado a una temperatura alta, la tina de acero inoxidable a una temperatura más baja junto con la acción del agua que se escurre en forma de láminas gracias al agente del enjuague resulta en un secado higiénico, económico y eficiente en el uso de energía eléctrica.

La Señal de Terminación del Ciclo: Esta señal de terminación del ciclo es un tono que suena cuando su lavadora de platos Bosch termina el lavado y secado de sus vajillas.

Sistema de Filtración: Tres filtros le aseguran la distribución de agua limpia y protegen la bomba principal y la bomba de evacuación contra materiales ajenos.

Flow-Through Heater™: Heats water to a temperature of up to 161°F.

Nylon Racks: Eliminate cuts and nicks, and have a five-year warranty.

Indicador “Llenar con Agente de Enjuague” [*Refill Rinse Agent*]: Un símbolo en el visualizador Diodo Emisor de Luz [*LED*] rotulado como “Refill Rinse Agent” que brilla cuando se necesita llenar de nuevo el surtidor de agente de enjuague.

Indicador “Desinfectado” [*Sanitized*]: Un indicador “LED” que certifica que su vajilla está desinfectada conforme a las normas de la Organización Nacional de Sanidad [*National Sanitation Foundation*].

SENSOTRONIC™: Revisa la condición del agua y determina la necesidad de llenar con agua fresca por segunda vez.

Tina Alta de Acero Inoxidable [*Stainless Steel TALL TUB™*]: Proporciona una superficie interior inoxidable e higiénica con garantía de por vida.

Ciclo Sólo Rejilla Superior™: Este ciclo le permite ahorrar energía, agua y detergente al lavar cargas suficientemente pequeñas para llenar sólo la rejilla superior.

Cierre de Agua [*Water Shut-Off*]: Un dispositivo de seguridad que interrumpe la circulación del agua de entrada cuando detecta agua en la base de la lavadora.

MATERIALES

NOTA: Antes de usar su lavadora de platos Bosch por primera vez, revise la información en esta sección. Algunos artículos que usted desea limpiar no están a prueba de la lavavajillas y deben ser lavados a mano; otros requieren de un acomodo especial. Póngase en contacto con el fabricante del artículo si usted tiene dudas acerca de que el uso de la lavadora de platos sea apropiado.

Generalmente Seguros

Aluminio: El aluminio anodizado de color puede oscurecerse con el tiempo. Los minerales en su agua pueden causar que el aluminio se oscurezca o que se manche. Generalmente se pueden quitar estas manchas usando esponjillas de fibra metálica rellenas de jabón.

Porcelana, Cristal, Cerámica: Algunas piezas pintadas a mano pueden perder el color, oscurecerse o mancharse. Lave estas piezas a mano. Posicione piezas frágiles de vidrio de tal modo que no se puedan voltear y que no tengan contacto con otras piezas durante el ciclo de lavado.

Vidrio: El vidrio opalino puede ponerse amarillo.

Capas antiadherentes: Aplique una ligera capa de aceite vegetal a las superficies antiadherentes después del secado.

Plásticos: Asegúrese que la pieza está apta para ser usada en una lavadora de platos .

Acero Inoxidable, Plata de Ley, y Plateado: Para evitar la posible corrosión, coloque las piezas hechas de metales diferentes de tal modo que no tengan contacto una con la otra pieza.

No Recomendados

Acrílico: Puede ocurrir el craquelado (grietas pequeñas en el acrílico).

Piezas unidas por adhesivos: Se pueden aflojar los adhesivos que unen materiales como plástico, madera, hueso, acero, cobre, estaño, etc.

Utensilios con mango de hueso: Se pueden separar los mangos.

Hierro: El hierro se oxida. Lave las piezas de hierro a mano y séquelas de inmediato.

Piezas no diseñadas para la lavadora de platos : Su lavadora de platos está diseñada para limpiar SÓLO trastes y artículos de cocina caseros.

Pewter, Latón, Bronce: El pewter se manchará. lave las piezas de pewter a mano y séquelas de inmediato.

Estaño: El estaño se oxidará. Lave las piezas de hierro a mano y séquelas de inmediato.

Madera: Los tazones de madera, utensilios de madera y piezas con mango de madera pueden agrietarse, doblarse y perder su acabado.

COMO FUNCIONA LA LAVADORA

COMO FUNCIONA LA LAVADORA

Preparación de vajilla

1. Instrucciones Generales

- No haga ningún lavado preliminar de los artículos con suciedad pegada ligeramente.
- Elimine las partículas grandes de alimentos, los huesos, semillas, palillos para los dientes y la grasa excesiva.
- Usted podría tener que poner a remojar y frotar a mano los artículos con desechos pegados, quemados o endurecidos.

Como Cargar la Lavadora

1. Instrucciones Generales

CUIDADO

DAÑO A LA LAVADORA: Usted corre el riesgo de dañar la lavadora si introduce objetos o materiales tal como productos de papel, bolsas de plástico, material de embalaje o cualquier otra cosa que no sea vajilla o utensilio de cocina normales. No cargue ningún artículo en su lavadora que no sea vajilla o utensilio de cocina a prueba de lavadoras de platos.

- Revise la sección Materiales de este manual para asegurarse de que algún artículo en particular se preste a limpiarse en lavadoras de platos.
- Cargue únicamente artículos a prueba de lavadoras de platos [dishwasher-safe] en su lavadora.
- Cargue los artículos de modo que el agua pueda alcanzar todas las partes de cada artículo.
- Coloque de modo invertido en los estantes las ollas, sartenes, tazas, cuencos y vasos.
- Separe los artículos hechos de metales diferentes.

2. Como Cargar el Estante Superior

- Las Ilustraciones 1, 2 y 3 muestran vajilla típicamente variada y cargada en el estante superior.

Figura 1

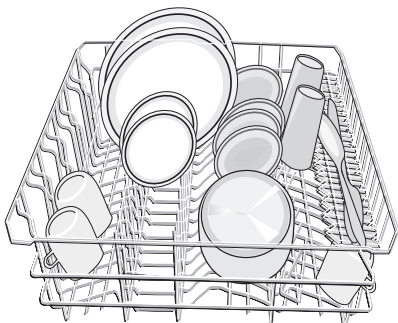


Figura 2

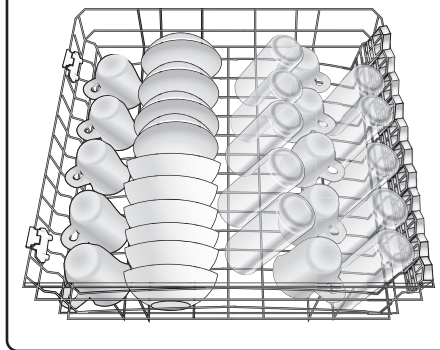
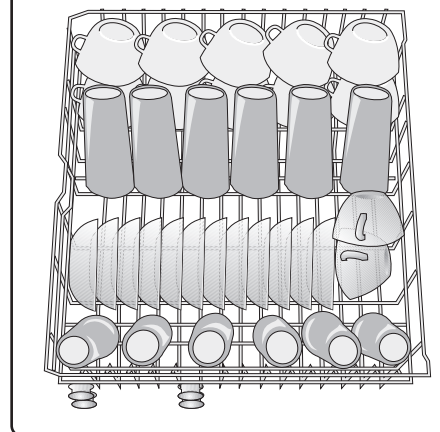


Figura 3



NOTA: Cuando reintroduzca el estante superior hacia adentro de la lavadora, empujelo hasta que se detenga contra la pared trasera de la tina. De otro modo, el brazo rociador del estante superior podría fallar en conectarse al sistema de alimentación de agua.

- Ya que el estante superior esté cargado, empujelo hacia adentro de la lavadora.

- Ciclo Sólo Estante Superior™

Este ciclo le permite ahorrar energía, agua y detergente al lavar cargas suficientemente pequeñas para llenar sólo el estante superior.

NOTA: El ciclo Sólo Estante Superior™ no reduce el tiempo de lavado.

Para usar el ciclo Sólo Estante Superior™,

- Cargue el estante superior con los trastes.
- Pulse el botón On/Off (Prender/ Apagar).
- Pulse el botón para el ciclo de lavado deseado.
- Pulse el botón Sólo Estante Superior.

3. Como Cargar el Estante Inferior

- Acomode los artículos grandes en el estante inferior. Cargue las ollas y cazuelas de modo invertido. Las Ilustraciones 4, 5 y 6 muestran una carga típicamente variada acomodada en el estante inferior.

Figura 4

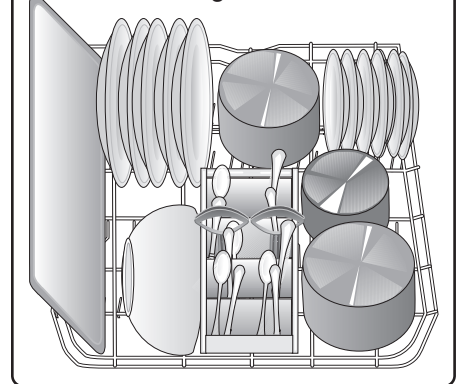


Figura 5

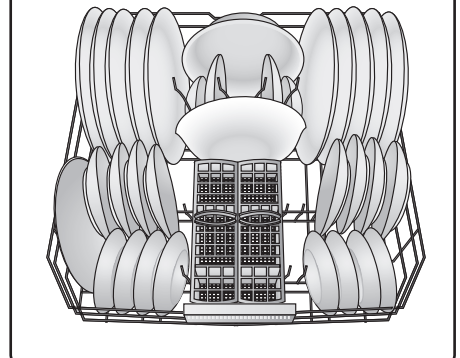
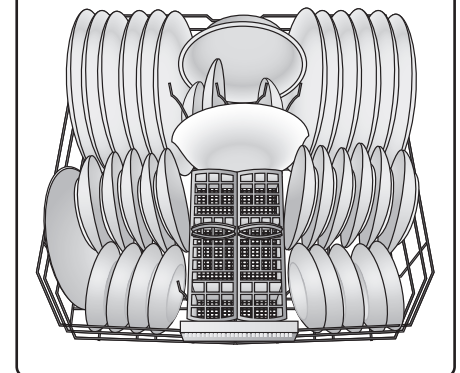


Figura 6



- Ya que el estante inferior esté cargado, empujelo hacia adentro de la lavadora.

4. Como Cargar Artículos Extra Altos

Si algún artículo está demasiado alto para poder colocarse en la rejilla inferior aún con la rejilla superior en la posición elevada,

- Extraiga el estante superior vacío por medio de jalarlo hacia afuera de la lavadora hasta que se detenga.

COMO FUNCIONA LA LAVADORA

b) Jale hacia arriba y hacia afuera la orilla delantera del estante hasta que los rodillos queden completamente libres de los rieles guías. Guarde el estante al lado.

c) Empuje los rieles guías de nuevo hacia adentro de la lavadora.

d) Encaje el Rociador para Artículos Extra Altos [Extra Tall Item Sprinkler] en la salida de agua para el estante superior y dele vuelta al sentido del reloj hasta asentarlo en su posición como muestra la Ilustración 7.

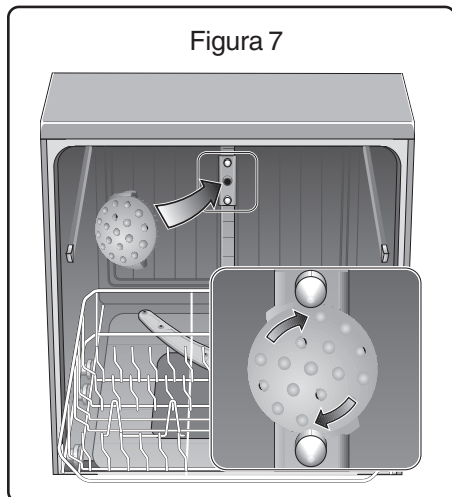


Figura 7

NOTA: Mantenga libre el paso a la abertura de ventilación que se encuentra en la pared derecha de la tina por medio de acomodar artículos altos (como las tablas de plástico para cortar alimentos y las láminas para hornear galletas) en el lado izquierdo, el trasero o hacia el centro del estante inferior.

e) Acomode los artículos extra altos en el estante inferior como muestra la Ilustración 8.

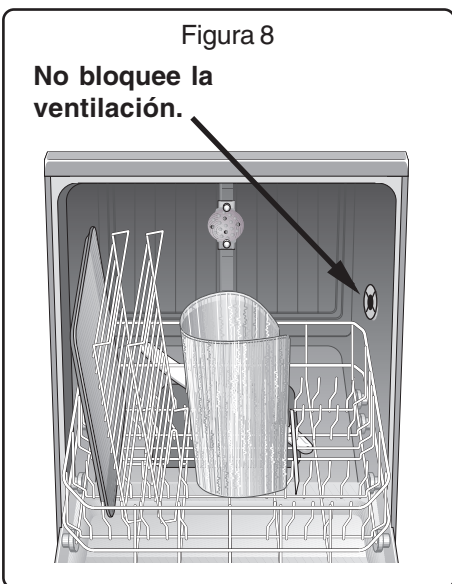


Figura 8

No bloquee la ventilación.

CUIDADO

DAÑO A LA LAVADORA: Usted puede dañar la lavadora si intenta reinstalar el estante superior antes de quitar el rociador para artículos extra altos. No trate de reinstalar el estante superior mientras el rociador esté todavía instalado.

Para extraer el rociador y restablecer la lavadora a su condición normal:

f) Dele vuelta al rociador en el sentido contrario del reloj y quítelo de la salida que alimenta agua al estante superior.

g) Busque el estante superior.

h) Incline la orilla delantera del estante hacia arriba y acomode los rodillos en los rieles guías.

i) Siga empujando el estante hacia adentro hasta que todos los rodillos se acomoden en los rieles.

j) Empuje el estante superior hacia adentro de la lavadora.

5. Como Cargar la Canasta para los Cubiertos

! CUIDADO

PELIGRO DE HERIRSE: Los cuchillos y otros utensilios filosos pueden causar heridas graves si se acomodan con el mango hacia abajo. Mientras sea posible, no acomode los cuchillos y otros utensilios filosos con el mango hacia abajo. No permita que los niños toquen o jueguen con los cuchillos y otros utensilios filosos.

a) Mantenga los cuchillos y otros utensilios filosos fuera del alcance de los niños.

NOTA: Las tapaderas de las canastas para los cubiertos se pueden doblar hacia arriba para poder acomodar artículos grandes o los de forma irregular.

b) Con las tapaderas dobladas hacia abajo, cargue la canasta para los cubiertos según el modelo indicado en la Ilustración 9. Acomode los cuchillos con el mango hacia arriba pero los tenedores y cucharas con el mango hacia abajo.

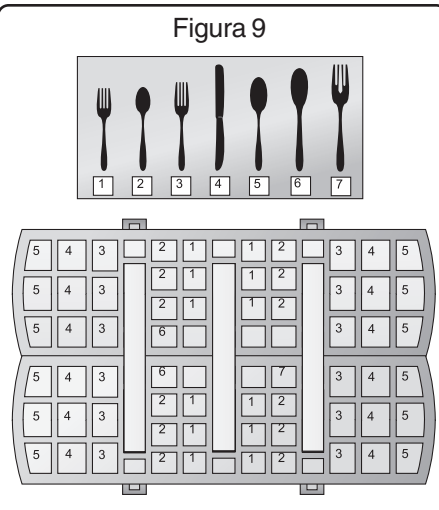


Figura 9

c) En caso de que tenga que cargar artículos grandes o algunos de forma irregular en la canasta para los cubiertos (con la tapadera hacia arriba), acomódelos de modo que no se aniden y así impidan el efecto de los chorritos de agua. Acomode los cuchillos y otros utensilios filosos con el mango hacia arriba.

Como Añadir Detergente y Agente de Enjuague

1. Detergentes

CUIDADO

DAÑO A LA LAVADORA: El uso de productos para lavar la vajilla a mano podría dañar su lavadora. No utilice estos productos en su lavadora.

a) Use únicamente detergentes fabricados especialmente para uso en lavadoras de platos.

b) La copa para detergente en el surtidor tiene rayas que miden la cantidad de detergente cada 15 y 25 mililitros. 45 ml de detergente llena la copa totalmente.

CUIDADO

DAÑO A LA VAJILLA: Demasiado detergente en agua muy blanda puede rayar la cristalería tal como si fuera agua fuerte. Evite usar demasiado detergente si el agua es blanda.

NOTA: Si usted no sabe si el agua es blanda o dura, empiece con 15 ml de detergente. Aumente la cantidad de detergente, si es necesario, hasta la cantidad mínima que se necesita para realizar la limpieza de su vajilla y los utensilios de cocina.

c) Guíese por las rayas de medición en la copa para detergente en el surtidor para verter la cantidad adecuada de detergente recomendada en la Tabla 1.

Ciclo de Lavado	Tabla 1		
	Tipo de Agua		
	Dura	Mediana	Blanda
Frotado Extra Fuerte	45ml	45ml	25-45ml
Lavado Regular	25-45ml	25ml	15-25ml
Delicado/Económico	25ml	15-25ml	15ml
Remojar y Retener	Nada	Nada	Nada

2. Agentes de Enjuague [Rinse Agents]

a) Siempre use un agente de enjuague líquido, aún si su detergente también contenga algún agente de enjuague o aditivo para el secado.

COMO FUNCIONA LA LAVADORA

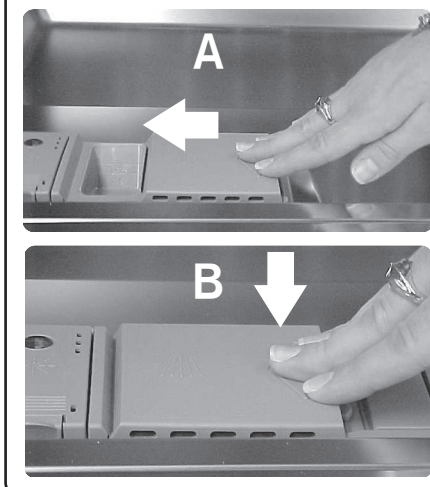
3. El Surtidor de Detergente y de Agente de Enjuague

- Como Llenar el Surtidor de Detergente

a) Llene la copa para el detergente como recomienda la Tabla 1.

b) Deslice la tapadera del surtidor como muestra la Ilustración 10A y oprímala firmemente como muestra la Ilustración 10B hasta que la tapadera se encaje repentinamente.

Figura 10

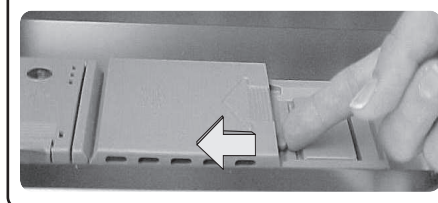


- Como Abrir la Tapadera del Surtidor de Detergente

NOTA: La tapadera no se abrirá si oprime la lengüeta de desenganche hacia abajo.

c) Oprima la lengüeta de desenganche azul hacia la dirección que indica la flecha en la Ilustración 11.

Figura 11

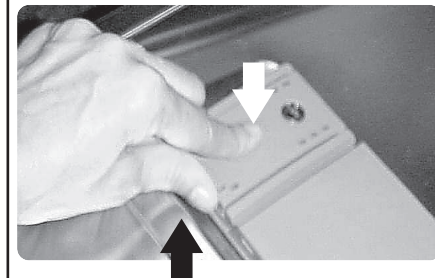


d) La tapadera se abre hacia la derecha.

- Como Llenar el Surtidor de Agente de Enjuague

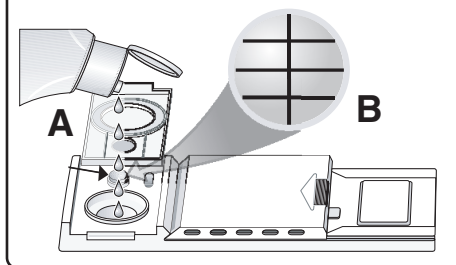
e) Abra el Surtidor de Agente de Enjuague por medio de oprimir la estrella inscrita en la tapadera con el dedo índice mientras levante la lengüeta con el pulgar como muestra la Ilustración 12.

Figura 12



f) Llene el surtidor con agente de enjuague en forma líquida como muestra la Ilustración 13A hasta que el tanque quede lleno. Limpie cualquier exceso de agente de enjuague que se haya derramado.

Figura 13



g) Devuelva la tapadera del surtidor de agente de enjuague a su posición como cerrada y oprímala hasta que se encaje repentinamente.

NOTA: La Ilustración 13B representa el tanque de agente de enjuague completamente vacío.

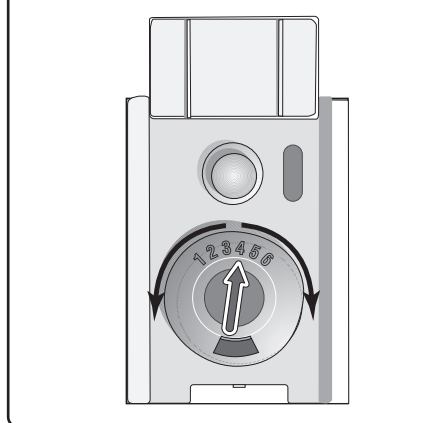
h) Llene de nuevo el surtidor de agente de enjuague cuando el indicador de nivel del tanque empiece a mostrar un fondo de color plata con rayas negras como muestra la Ilustración 13B o cuando el Indicador de Llenar apaga.

NOTA: El Indicador de Llenar con Agente de Enjuague se apaga unos pocos minutos después de que se cierre la puerta de la lavadora.

- Regulador del Surtidor de Agente de Enjuague

La cantidad de agente de enjuague introducida puede controlarse para evitar manchas redondas y en forma de rayos, El Regulador del Surtidor de Agente de Enjuague que se muestra en la Ilustración 14 se despacha de nuestra fábrica calibrado a 4.

Figura 14



Para ajustar la cantidad de agente de enjuague introducida:

i) Abra la tapadera del surtidor de agente de enjuague.

j) Si la vajilla resulta con manchas en forma de rayos, ajuste el regulador a un número más bajo.

k) Si la vajilla resulta con manchas redondas, ajuste el regulador a un número más alto.

Como Funciona la Lavadora

1. Seleccionar el Ciclo de Lavado Correcto

CUIDADO

DAÑO A LA VAJILLA: Se pueden dañar artículos delicados o de gran valor en una lavadora de platos. No lave ningún artículo de este tipo de vajilla en su lavadora si hay cualquier posibilidad de dañarla.

a) Usted tendrá que lavar los artículos con desechos pegados fuertemente (o quemados debido a la cocción) bajo el ciclo Frotado Extra Fuerte [Power Scrub Plus] y posiblemente tendrá que ponerlos a remojar y restregarlos a mano antes de ponerlos en la lavadora.

b) El ciclo de Lavado Regular [Regular Wash] limpia a fondo cargas grandes con suciedad ordinaria pegada ligeramente.

c) El ciclo Remojar y Retener [Rinse and Hold] le permite guardar una carga pequeña en la lavadora hasta que la pueda completar con más vajilla.

Se incluye más información referente a los ciclos de lavado de las lavadoras de platos Bosch en la sección Datos Acerca de la Duración de los Ciclos y del Consumo de Agua en este manual.

2. Como Poner en Marcha a la Lavadora

a) Abra la puerta de la lavadora sólo lo suficiente como para exponer los botones de control.

b) Pulse el botón "On/Off" (Prender/ Apagar).

c) Pulse el botón que corresponde al ciclo de lavado que Ud. prefiere.

d) Cierre la puerta de la lavadora.

e) La lavadora se pondrá en marcha y seguirá funcionando hasta que termine el ciclo seleccionado.

Ya que la lavadora esté funcionando, mantenga la puerta de la lavadora cerrada hasta que termine el ciclo de lavado.

3. Como Interrumpir un Ciclo

NOTA: En caso de que usted necesite interrumpir un ciclo (tal como para cargar o sacar algún artículo, para añadir detergente, etc.), es preferible que lo haga dentro de los primeros 30 minutos de la puesta en marcha.

a) Espere por lo menos diez segundos o hasta que cese el ruido del agua antes de abrir completamente la puerta de la lavadora.

AVISO

PELIGRO DE QUEMARSE: Usted podría sufrir quemaduras graves si abre la puerta rápidamente durante el ciclo de lavado o el de enjuague. Espere por lo menos 10 segundos o hasta que cese el ruido del agua antes de abrir la puerta completamente.

b) Para reactivar el ciclo, cierre la puerta de la lavadora.

4. Como Cancelar o Cambiar un Ciclo

a) Pulse y oprima los dos botones rotulados "Cancel Drain" (Cancelar Evacuar) como muestra la Ilustración15.

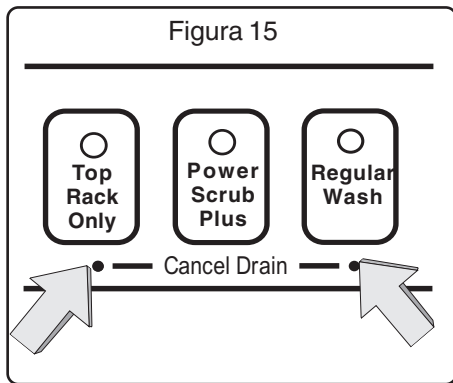


Figura 15

b) Espere aproximadamente un minuto antes de pulsar el botón "On/Off" (Prender/Apagar).

c) Ahora usted puede poner otro ciclo en marcha o escoge un ciclo diferente.

Como Secar la Vajilla

NOTA: Consulte este manual para más información acerca de la opción de Additional Drying Heat.

Cuando termina el ciclo, la lavadora deja de funcionar y empieza un período de secado por condensación. Después de 12 a 15 minutos de secado,

- el visualizador LED proyecta "0",
- la luz "Sanitized" (Desinfectado) brilla (salvo durante los dos ciclos "Lavado Rápido" y "Remojar y Retener").
- La señal de terminación del ciclo sonará dependiendo de la configuración.

NOTA: Para acelerar y mejorar el secado, abra la puerta de la lavadora, jale el estante superior sólo lo suficiente como para mantener la puerta abierta.

- El Indicador "Sanitized"

La luz "Sanitized" brilla cuando la vajilla y los artículos de cocina recientemente lavados han sido desinfectados conforme a los requisitos de la Organización Nacional de Sanidad [National Sanitation Foundation - NSF]. Para averiguar más información acerca de la certificación NSF, consulte la sección Información Acerca de los Ciclos de Lavado de este manual.

- La Señal de Terminación del Ciclo

Esta señal de terminación del ciclo es un tono que suena cuando su lavadora de platos Bosch termina el lavado y secado de sus vajillas. Usted puede deshabilitar el tono, o configurarlo a uno o dos volúmenes (su lavadora sale de nuestra fábrica con el tono configurado en el volumen inferior).

Para cambiar el volumen de la señal de terminación del ciclo:

b) Pulse y oprima el botón en el derecho "Cancel Drain" (Cancelar Evacuar) como muestra la Ilustración16, luego pulse y oprima el botón "On/Off" (Prender/Apagar).

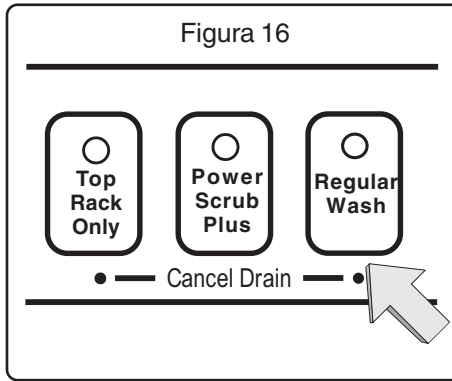


Figura 16

a) Abra la puerta de la lavadora suficientemente para exponer los botones de control.

b) Pulse y mantenga oprimido el botón de retraso de arranque, luego pulse y mantenga oprimido el botón On/Off (Prender/Apagar). Cuando el tono empieza a sonar y la pantalla indica un 0, 1 o 2, libere los botones.

c) Pulse el botón de retraso de arranque hasta que el tono esté en el volumen deseado o hasta que esté apagado. La pantalla indicará un 0

Como Descargar la Lavadora

1. Instrucciones Generales

a) Descargue primero el estante inferior.

b) Descargue las canastas para los cubiertos. Se pueden sacar sin esfuerzo para facilitar la descarga de lo demás.

c) Descargue el estante superior.

d) Si instaló el Rociador para los Artículos Extra Altos, restablezca la lavadora a su condición normal (consulte las instrucciones de Como Cargar Artículos Extra Altos en la sección "Como Cargar la Lavadora" de este manual).

CUIDADO Y MANTENIMIENTO

Tareas de Mantenimiento

Algunas partes de su lavadora de platos Bosch requieren que se mantengan periódicamente. Las tareas de mantenimiento se realizan fácilmente y le aseguran un desempeño superior continuo de su lavadora Bosch. Estas tareas incluyen:

- Secar derrames de agua
- Preparar su lavadora Bosch para el invierno
- Revisar/limpiar las boquillas de los brazos rociadores
- Limpiar la cara interior de la puerta y de la tina, fabricadas de acero inoxidable.
- Revisar/limpiar el sistema de filtración

- Limpiar la cara exterior de la puerta
- Limpiar el sello de la puerta

1. Secar Derrames de Agua

Ocasionalmente, agua se derrama o se salpica de su lavadora Bosch, particularmente cuando se abre la puerta y se interrumpe un ciclo de operación. Seque inmediatamente el agua que se salpica de su lavadora Bosch.

2. Como Preparar su Lavadora Bosch Para el Invierno

CUIDADO

POSIBILIDAD DE DAÑAR LA LAVADORA: Las temperaturas glaciales pueden dañar su lavadora. No permita que permanezca agua en el sistema de agua que alimenta la lavadora o en el sistema de evacuación sujetos a temperaturas congelantes.

En caso de que su lavadora quedara sin usarse durante un plazo largo en un sitio expuesto a temperaturas glaciales (por ejemplo en su casa de campo o en su hogar durante un viaje), usted debería evacuar toda el agua en el interior de la lavadora.

- a) Cierre la alimentación de agua.
- b) Desprenda la manguera de evacuación y permita que toda el agua en la lavadora se evacúe en una cubeta u otro recipiente adecuado.

3. Revisar/Limpiar la Cara Interior de la Puerta y de la Tina Hechas de Acero Inoxidable.

a) Limpie las orillas del panel interior habitualmente para eliminar desechos que se acumulan durante el proceso de cargar la vajilla.

b) Cuando se forman manchas en la tina o en el panel interior de la puerta, llene el tanque de agente de enjuague.

CUIDADO Y MANTENIMIENTO

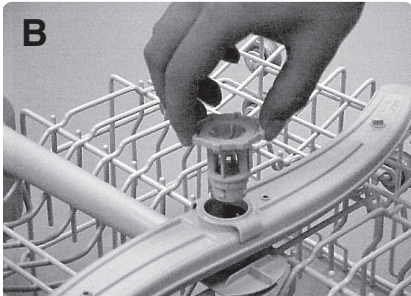
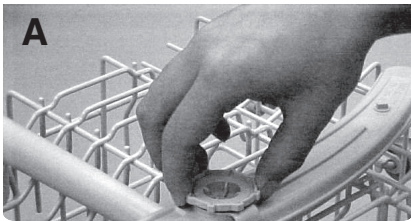
4. Revisar/Limpiar las Boquillas de los Brazos Rociadores

De vez en cuando examine los brazos rociadores para verificar que las boquillas rociadoras no estén tapadas. Usted debe extraer los brazos rociadores para poder revisar que no estén obstruidos.

- Extraer el brazo rociador superior:

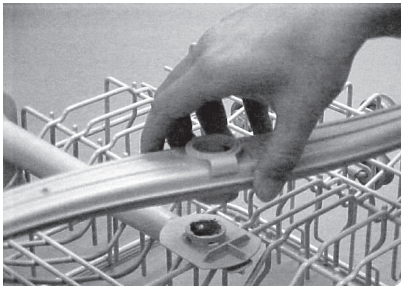
- Saque de la lavadora el estante superior vacío.
- Invierta el estante. El brazo rociador superior está sujetado con una contratuerca como muestra la Ilustración 17A. Dele a la tuerca 1/8 de la vuelta al sentido contrario del reloj y quítela, como muestra la Ilustración 17B, para soltar el brazo rociador.

Figura 17



- Desprenda el brazo rociador como muestra la Ilustración 18.

Figura 18



- Revise que las boquillas rociadoras no estén obstruidas.
- Si se necesita destapar las boquillas, límpielas bajo un chorro de agua.

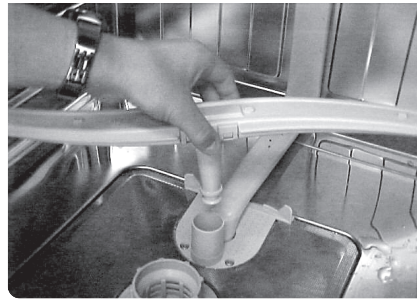
- Reinstalar el brazo rociador superior:

- Reacomode el brazo rociador en su posición como instalado.
- Reacomode la contratuerca en su posición como instalada y dele 1/8 de la vuelta al sentido del reloj.
- Reacomode los rodillos del estante superior en los rieles guías.

- Extraer el brazo rociador inferior:

- Saque de la tina de la lavadora el estante inferior vacío.
- Agarre y jale hacia arriba el brazo rociador inferior como muestra la Ilustración 19.

Figura 19



- Revise que las boquillas rociadoras no estén obstruidas.
- Si se necesita destapar las boquillas, límpielas bajo un chorro de agua.

- Reinstalar el brazo rociador inferior:

- Reacomode el brazo rociador inferior en su posición como instalado y oprímelo hasta que se encaje repentinamente.
- Reacomode el estante inferior en su posición como instalado.

5. Revisar/Limpiar el Sistema de Filtración

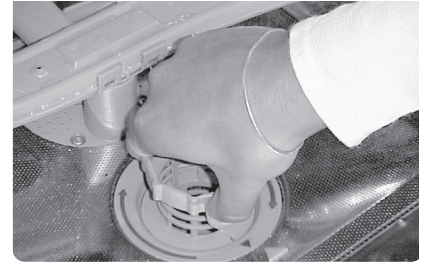
Todas las lavadoras de platos Bosch cuentan con un sistema de filtración que se compone de una ensambladura Separador de Objetos Grandes/Filtro Cilíndrico y de un Filtro Fino. Algunos modelos de lavadoras Bosch también tienen un Microfiltro complementario. El sistema de filtración se instaló en el piso de la lavadora para facilitar el acceso.

Normalmente el sistema de filtración se limpia a sí mismo, sin embargo, de vez en cuando usted debería revisarlo para eliminar objetos ajenos y limpiarlo cuando sea necesario.

- Para Extraer la Ensambladura Separador de Objetos Grandes/Filtro Cilíndrico:

- Saque el estante inferior.
- Agarre la ensambladura como muestra la Ilustración 20 y dele 1/4 de la vuelta al sentido contrario del reloj.

Figura 20



- Jale la ensambladura hacia arriba para extraerla tal como muestra la Ilustración 21.

Figura 21



⚠ CUIDADO
PELIGRO DE HERIRSE: El separador de objetos grandes podría contener objetos afilados. No meta los dedos en el separador de objetos grandes.

- Examine cuidadosamente la ensambladura. Si nota desechos en el Separador de Objetos Grandes, inviértalo y dele un golpe ligero en alguna superficie tal como una mesa para desalojar y eliminar los desechos. Limpie el Filtro Cilíndrico bajo un chorro de agua.

- Para Extraer el Filtro Fino:

- Levante el Filtro Fino para quitarlo del piso de la lavadora como muestra la Ilustración 22 y límpielo bajo un chorro de agua.

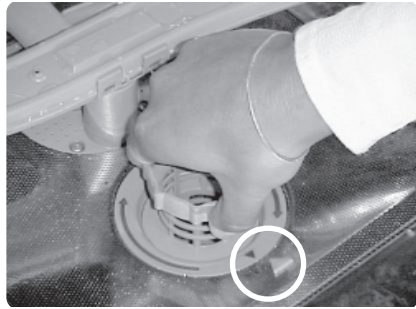
Figura 22



- Para reinstalar el sistema de filtración:

- f) Reacomode el Filtro Fino en su posición como instalado.
- g) Acomode la Ensambladura Separador de Objetos Grandes/Filtro Cilíndrico en su posición como instalada en el piso de la lavadora.
- h) Dele un 1/4 de la vuelta en el sentido del reloj a la agarradera de anillo hasta que se tranque. La flecha en la agarradera de anillo y la flecha en el Filtro Fino deben apuntarse una a la otra, como muestra el círculo en la Ilustración 23.

Figura 23



- i) Delicadamente jale la agarradera para verificar que la Ensambladura esté instalada correctamente.

6. Limpiar la Cara Exterior de la Puerta

CUIDADO

POSIBILIDAD DE DAÑAR LA LAVADORA: Productos químicos cáusticos, limpiadores abrasivos, estropajos (sean de metal o de plástico), toallas abrasivas de tela o de papel pueden dañar la cara exterior de la puerta de la lavadora. No use químicos cáusticos, limpiadores abrasivos, estropajos (sean de metal o de plástico), toallas abrasivas de tela o de papel para limpiar el panel exterior de la puerta.

- Puertas Pintadas

- a) Use únicamente un paño suave ligeramente humedecido con agua enjabonada.

- Puertas de Acero Inoxidable

- a) Use un paño suave con un limpiador no abrasivo (preferiblemente en forma líquida suministrado a través de un atomizador) fabricado especialmente para limpiar el acero inoxidable. Para realizar los mejores resultados, primero moje el paño con el limpiador de acero inoxidable para después pasarlo por la superficie.

7. Limpiar el Sello de la Puerta

- a) Limpie habitualmente el sello de la puerta con un paño mojado para eliminar las partículas de alimentos y los otros desechos que se le hayan pegado.

AUTOAYUDA

A veces las lavadoras de platos exhiben problemas que no tienen nada que ver con el funcionamiento de la máquina en sí. La información a continuación le podría ayudar a resolver algún problema sin tener que acudir a un técnico de reparaciones.

La vajilla no se seca

El surtidor de agente de enjuague podría estar vacío. Revíselo y llénelo de nuevo si es necesario. El secado de la vajilla puede acelerarse y mejorarse por medio de abrir la puerta de la lavadora un poquito y detenerla abierta con el estante superior.

Las luces indicadoras no brillan

Pudo haberse fundido un fusible o un cortacircuitos pudo haber interrumpido la corriente. Revise los fusibles o los cortacircuitos de su habitación en la caja de fusibles/cortacircuitos y cambie el fusible o restablezca el interruptor si es necesario.

La lavadora no se pone en marcha

Revise que la puerta de la lavadora esté bien cerrada y trancada.

El ciclo dura demasiado tiempo en terminarse

Podría ser debido a que el agua alimentada está muy fría. Antes de poner en marcha a la lavadora, abra la llave de agua caliente en la pila o lavabo más cerca de la lavadora. Deje la llave abierta hasta que el agua corra caliente. Entonces cierre la llave y ponga la lavadora en marcha.

El ciclo de lavado no avanza al de enjuague

NOTA: El Manual de Instalación que acompaña a su lavadora de platos Bosch le ayudará con las instrucciones siguientes:

El conducto de alimentación de agua podría estar cerrado. Revise la válvula de la fuente de agua y ábrala si está cerrada.

El agua no se evacúa de la lavadora

Revise que la manguera de desagüe no esté torcida, obstruida o instalada incorrectamente. Asegúrese de que una porción de la manguera de desagüe esté por lo menos a 20" (50 cm.) arriba del piso del gabinete de la lavadora (véase el Manual de Instalación). Los filtros podrían estar obstruidos. Asegúrese de que el sistema de filtración no esté tapado (véase la sección Cuidado y Mantenimiento de este manual). El desagüe de la pila en la cocina podría estar tapado. Usted podría tener que acudir a un plomero

más bien que a un técnico de reparaciones de lavadoras de platos. Si se instaló un dispositivo con intervalo de aire [air gap] en la pila, éste podría estar tapado.

La tapadera del surtidor de detergente no se cierra

Usted podría estar tratando de cerrar incorrectamente la tapadera del surtidor, o tal vez no se terminó algún ciclo que entonces usted tendrá que cancelar. Consulte la sección Como Añadir Detergente y Agente de Enjuague de este manual para averiguar las instrucciones de como cerrar la tapadera. Consulte la sección Como Funciona la Lavadora de este manual para averiguar como se cancela un ciclo.

Manchas blancas o en forma de rayos quedan en la vajilla

Se necesita más agente de enjuague. Consulte la sección Como Añadir Detergente y Agente de Enjuague de este manual para averiguar las instrucciones de como aumentar la cantidad de agente de enjuague que surte la lavadora.

Hay rayas en los artículos de cristal Se está aplicando demasiado agente de enjuague.

Consulte la sección Como Añadir Detergente y Agente de Enjuague de este manual para averiguar las instrucciones de como disminuir la cantidad de agente de enjuague que surte la lavadora.

Ruido matraqueo

Los utensilios no están acomodados correctamente.

Espuma en la lavadora



Usted pudo haber utilizado un tipo de detergente incorrecto. Use únicamente los detergentes fabricados especialmente para uso en lavadoras de platos automáticas.

El lavado resulta insatisfactorio

- Cantidad incorrecta de detergente
- Los utensilios están arreglados de modo incorrecto o el estante está sobrecargado
- Algún utensilio impide la rotación del brazo rociador
- Las boquillas de los brazos rociadores necesitan limpiarse
- Los filtros están instalados incorrectamente
- Se seleccionó un ciclo inadecuado

DATOS ACERCA DE LA DURACIÓN DE LOS CICLOS Y DEL CONSUMO DE AGUA

NOTA: La duración de los ciclos y el consumo de agua dependen en gran parte de la temperatura del agua suministrada por su casa y del tipo de carga para lavarse, dos factores que Bosch no puede controlar. Por consiguiente, las duraciones y cantidades notadas en esta tabla son aproximadas.

		 Frotado Extra Fuerte	 Lavado Regular	Remojar & Retener
	Duración del Ciclo (en minutos)	136	108	9
Consumo de Agua en galones	Mínimo	6.1	6.5	1.3
	Máximo	8.3	7	1.3
Consumo de Agua en litros	Mínimo	23.2	13.1	4.8
	Máximo	31.6	26.4	4.8
Temp del Agua de Lavado °F		161°	140°	Incoming
Temp del Agua de Enjuaje °F		161°	155°	Incoming

EL SÍMBOLO DE LA NSF



Una lavadora de platos o un ciclo de la lavadora que exhibe el símbolo NSF ha sido certificada/o por la Organización Nacional de Sanidad [*National Sanitation Foundation -- NSF*] por haber cumplido con los requisitos muy rigurosos de tiempo y temperatura para desinfectar la vajilla y los utensilios de cocina. Estos requisitos se explican en el documento referente a Lavadoras de Platos para Uso Residencial ANSI/NSF 184, "Residential Dishwashers". Averigüe más información acerca de la Certificación NSF en el sitio web: <http://www.nsfconsumer.org/home/appliances/asp>.

Su lavadora de platos Bosch ganó la Certificación de la NSF. Los ciclos de las lavadoras de platos Bosch certificados por la NSF incluyen Frotado Extra Fuerte "Power Scrub Plus" y Lavado Regular "Regular Wash". Cuando terminan estos ciclos, el indicador "Sanitized" (Desinfectado) brilla en el panel de control.

NOTA: Si el agua alimentada por su casa está excesivamente caliente, se podría reducir el tiempo del calentamiento que realiza la lavadora y el símbolo o la luz "Sanitized" podría faltar de brillar. El Manual de Instalación para su Lavadora de Platos Bosch presenta información acerca de la temperatura recomendada del agua suministrada por el sistema en su hogar.

DECLARACIÓN DE LAS GARANTÍAS - LAVADORAS DE PLATOS BOSCH

Las garantías dispuestas por BSH Home Appliances ("Bosch") en esta Declaración de Garantías [*Statement of Warranties*] corresponden únicamente a las Lavadoras de Platos Bosch que se vendieron al primer comprador de uso por Bosch o por sus concesionarios autorizados, detallistas o centros de servicios en Estados Unidos o Canadá. Las Garantías aquí detalladas no son transferibles. PARA OBTENER SERVICIO DE GARANTÍA, DIRÍJASE AL CENTRO DE SERVICIOS MÁS CERCANO AUTORIZADO POR BOSCH O LLAME AL NO. TELEFÓNICO GRATUITO 1-800-944-2904 O ESCRÍBANOS DIRECTAMENTE A: BSH HOME APPLIANCES CORP., A LA DIRECCIÓN POSTAL: 5551 McFADDEN AVENUE, HUNTINGTON BEACH, CA 92649. INFÓRMENOS DEL NÚMERO DE MODELO, EL DE SERIE, LA FECHA DE LA COMPRA Y EL NOMBRE Y LA DIRECCIÓN DEL VENDEDOR DE SU LAVADORA.

*La fecha de instalación se refiere a la fecha más temprana entre la fecha de instalación de la lavadora o la de diez días después de la fecha de entrega.

1 Año de Garantía Completa y Limitada desde la Fecha de Instalación*: Bosch reparará o reemplazará cualquier pieza componente que resulte defectuosa bajo condiciones de uso ordinario en el hogar y lo hará libre de cargos (en lo que se incluyen los costos de la mano de obra y los de envío). Los servicios de reparación deben ser elaborados por un Centro de Servicios Autorizado por Bosch [*Authorized Bosch Service Center*]. (Todos los defectos cosméticos/superficiales deben reportarse dentro de 30 días después de la instalación).

2 Años de Garantía Limitada desde la Fecha de Instalación*: Bosch proporcionará repuestos libres de cargos por cualquier pieza componente que resulte defectuosa bajo condiciones de uso ordinario en el hogar, se excluyen los cargos por la mano de obra.

5 Años de Garantía Limitada de Componentes Electrónicos desde la Fecha de Instalación*: Bosch reparará o reemplazará cualquier microprocesador o tablero de circuito impreso que resulte defectuoso bajo condiciones de uso ordinario en el hogar empezando desde el segundo hasta hasta fines del quinto año desde la fecha de instalación, se excluyen los cargos por la mano de obra.

5 Años de Garantía Limitada desde la Fecha de Instalación*: Bosch reemplazará el estante superior o el inferior (excluyendo los accesorios de los estantes) libre de cargos en caso de que el estante resulte defectuoso por motivo de materiales o hechura bajo condiciones de uso ordinario en el hogar desde el segundo hasta los fines del quinto año, se excluyen los cargos por la mano de obra.

Garantía de por Vida contra la Oxidación Penetrante a Través del Panel de Acero Inoxidable desde la Fecha de Instalación: Bosch reemplazará su lavadora de platos con otra del mismo modelo o de un modelo actual equivalente o con mejores funciones si el revestimiento interior sufre oxidación penetrante completamente a través del material bajo condiciones de uso ordinario en el hogar, se excluyen los cargos por la mano de obra. Bosch reemplazará la puerta de acero inoxidable de cualquier lavadora de platos en caso de que se oxidara completamente a través del material bajo condiciones de uso ordinario en el hogar, se excluyen los cargos por la mano de obra.

EXCLUSIONES: Esta garantía no cubre los servicios a domicilio ni las reparaciones para corregir la instalación de una lavadora de platos, para proporcionarle instrucciones en el uso de su lavadora, para reemplazar los fusibles o para corregir el sistema de plomería o el del cableo eléctrico en su hogar. Ni tampoco garantizamos reparaciones necesitadas debido a algún uso contrario de lo normal y convencional en el hogar. Además, las garantías estipuladas en esta Declaración excluyen cualquier defecto o daño que resulte de algún accidente, alteración, mal uso, mal manejo, abuso, instalación inadecuada, trabajo de servicio no autorizado, fuerzas fuera del control de Bosch (tal como incendios, inundaciones y otras causas de fuerza mayor), o por motivo de una instalación que no cumple con los códigos municipales referentes a los sistemas eléctricos y los de plomería. Esta garantía no se responsabiliza por los cargos de la mano de obra realizada para una reparación o un reemplazo de cualquier lavadora de platos con más de un año después de la fecha de instalación. Cualquier y todas las piezas reemplazadas y/o reparadas asumirán la identidad de las originales con respecto al período aplicable de esta garantía.

HASTA EL GRADO PERMITIDO POR LA LEY, ESTA GARANTÍA ES EFECTIVA EN LUGAR DE CUALQUIER OTRA EXPRESADA O IMPLÍCITA, INCLUSO LAS GARANTÍAS IMPLÍCITAS DE COMERCIALIZABILIDAD Y APTITUD PARA ALGÚN FIN EN PARTICULAR. BOSCH NO ASUME NINGUNA RESPONSABILIDAD POR DAÑOS INCIDENTALES, CIRCUNSTANCIALES O CONSECUENCIALES.

SERVICIO AL CLIENTE

Su lavadora de platos Bosch no necesita ningún cuidado especial más que el que se detalla en la sección Cuidado y Mantenimiento. Si usted experimenta algún problema con su lavadora de platos, por favor consulte la sección Autoayuda antes de solicitar servicio. Si todavía necesita servicios de reparación, comuníquese con el distribuidor, instalador o centro de servicios autorizados. No intente elaborar la reparación usted mismo/a. Cualquier trabajo desempeñado por personal no autorizado podría anular o invalidar la garantía.

En caso de que usted tenga algún problema con su lavadora de platos Bosch y que no quede conforme con el servicio que recibió, por favor cumpla con las gestiones siguientes (según el orden de la lista a continuación) hasta que se resuelva el problema satisfactoriamente.

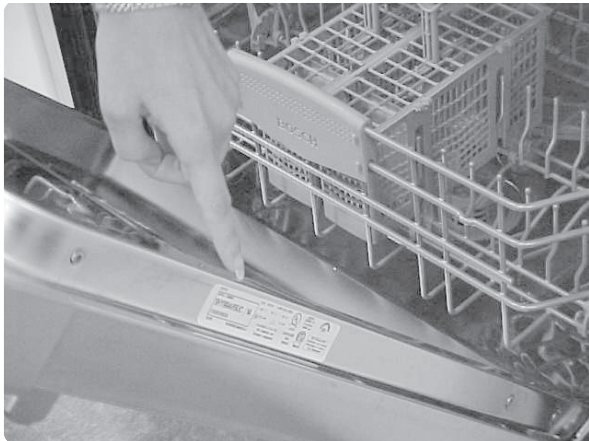
1. Diríjase a su instalador o al Contratista de Servicios Autorizado por Bosch [*Bosch Authorized Service Contractor*] de su región.
2. Envíe una carta electrónica "e-mail" por medio de la sección servicio al cliente [*customer service*] de nuestro sitio web: www.boschappliances.com.
3. Escribanos a nuestra dirección postal:
BSH Home Appliances, Corp.
5551 McFadden Avenue
Huntington Beach, CA 92649
4. Llámenos al No. de Teléfono gratis 1-800-944-2904.

Tenga cuidado de incluir (en caso de que nos escriba) o de tener a la mano (en caso de que nos llame por teléfono) los datos siguientes:

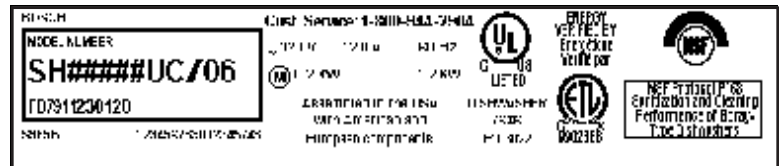
- Número de modelo [*model number*]
- Número de serie [*serial number*]
- Fecha de la compra original
- Fecha de la primera manifestación del problema
- Descripción/explicación del problema

Usted puede averiguar los datos del número de modelo y el de serie en la placa que se encuentra en la orilla derecha de la puerta de su lavadora como muestra la Ilustración B.

Ilustración B



Placa/Etiqueta con el Número de Modelo y el de Serie



Número de Serie

Número de Modelo

Además, en caso de que nos escriba, por favor indique un número de teléfono durante el día donde podemos llamarle. Por favor saque una copia de su factura y guárdela junto con este manual.

BSH reserves the right to change specifications or design without notice. Some models are certified for use in Canada. BSH is not responsible for products which are transported from the United States for use in Canada. Check with your local Canadian distributor or dealer. BSH Home Appliances, Corporation, 5551 McFadden Avenue, Huntington Beach, CA 92649.

For the most up to date critical installation dimensions by fax, use your fax handset and call 702/833-3600. Use code #8030.

BOSCH